



SEALED IN QUALITY

Weatherbars Door Surrounds & DIY Products

For Timber, Composite
& PVC Doors



Quality you can trust



All Exitex draught and weather seals are manufactured to the highest standards, incorporating many unique patented features.

Aluminium

Hardened High Tensile to BS 1474

Anodising

15-25 Micrometres to BS 3987

Powder Coating

60-80 Micrometres to BS 6496

Solid EPDM Rubber Gaskets

to BS 4255

Cellular EPDM Rubber Gaskets

to SS243705A1, SS81813

PVC

Gaskets to BS 7412

ISO 9001:2015

Quality Management
System Certified

ISO 27001:2017

Security Management
System Certified



Key



Wheelchair
Friendly



Moderate
Exposure



Severe
Exposure



Weatherbars, Door Surrounds & DIY Products

Thresholds

Mobility weatherbars inward & outward opening	2-7
Mobility weatherbars inward opening	8-20
Mobility weatherbars outward opening	20-25
Non mobility weatherbars inward opening	26-29
Non mobility weatherbars outward opening	29

Accessories

30

Aluminium Tiebars

31-32

Deflectors / Garage Door Seals

33-36

Bi-Fold Threshold

37

Stable Door Kit

38

Lock Edges for composite doors

39-40

Hinge Edges for composite doors

41-42

Door Surrounds

43-44

DIY Products

45-49

Acoustic Seals

50-51

Display Stands

52-55

Floor Trims

56-57

PART
M

Part M
Approved

MXS 15/67 Frame Specific

Inward

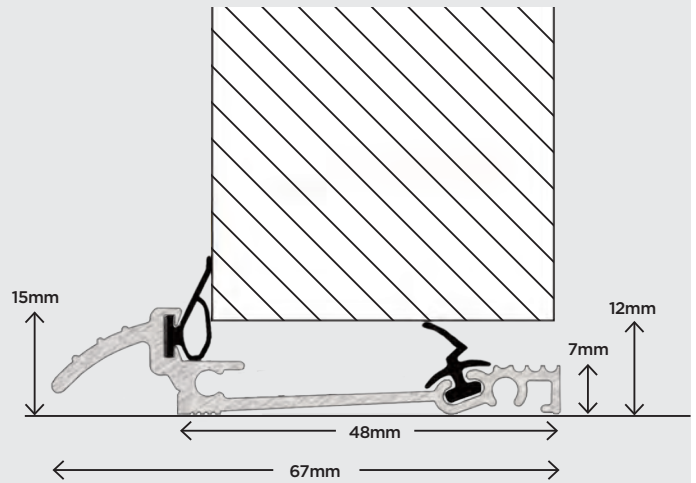
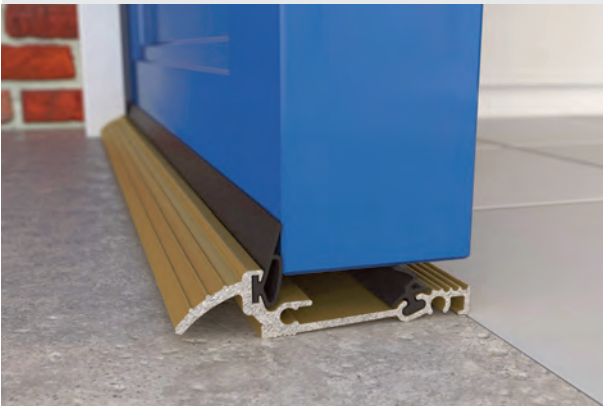
Ref: 1.01.0389

Accepts internal frame specific endcaps

Easily removable for remedial work

Available in bright silver & gold

In sizes 870mm to 4590mm



MXS 15/72 Frame Specific

Inward

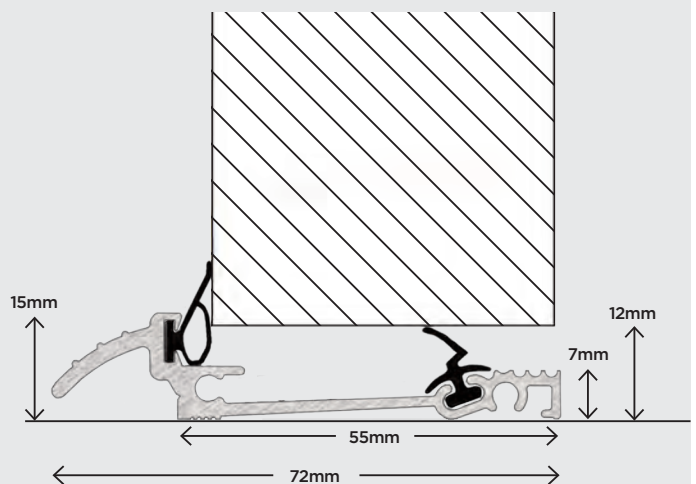
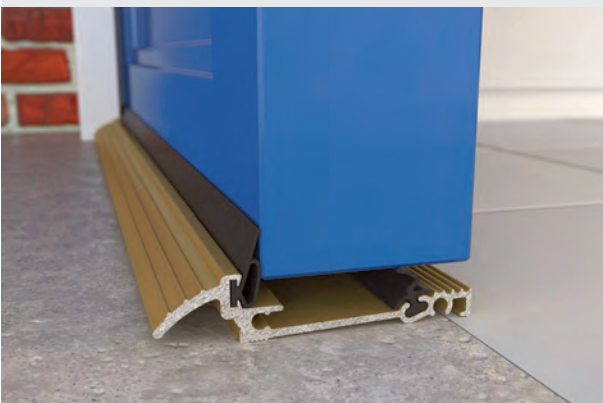
Ref: 1.01.0387

Accepts internal frame specific endcaps

Easily removable for remedial work

Available in bright silver & gold

In sizes 870mm to 4590mm



Aluminium Outward Infills

for MXS 15/67 Ref: 1.01.0396

for MXS 15/72 Ref: 1.01.0388

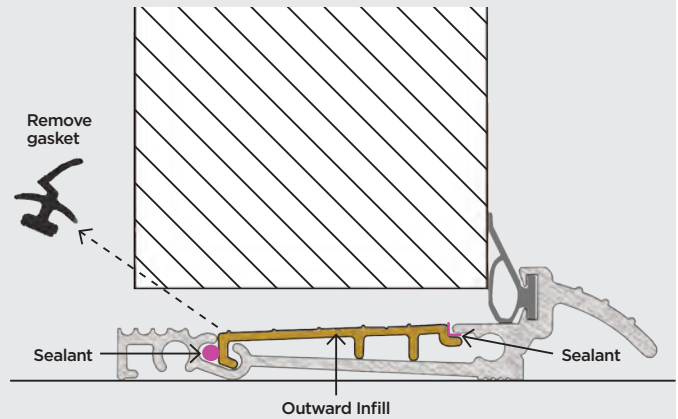
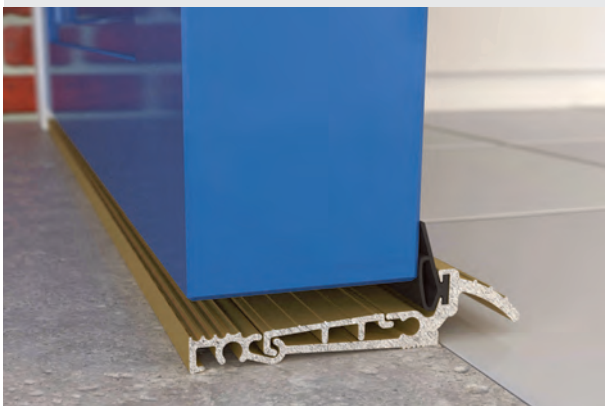
Converts MXS 15 Frame Specific to outward opening

Remove gasket as per illustration

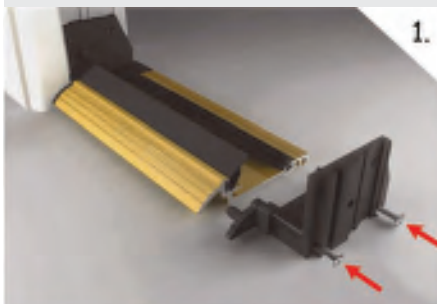
Insert aluminium infill

Available in bright silver and gold

In sizes 1000mm to 4590mm



MXS 15 Frame Specific Internal Endcaps



1. Cut weatherbar to size

2. Fit endcaps then screw to frame

3. Easily removed

MXS 15/67 endcaps available

- Deceuninck 2833 Sculptured
- Duraflex 7504 Comp Sculptured
- Ecoframe P60 Bevelled
- Eurocell EWS031 Comp Bevelled
- Halo Rustique PVC Sculptured
- Halo System 10 PVC Bevelled
- Liniar LSW018 Comp Sculptured
- Plastmo Index Bevelled

Plastmo Vogue Sculptured

- Profile 22 Optima Comp Bevelled
- Rehau S706 Comp Bevelled
- Rehau Total 70 Comp Bevelled
- Spectus Elite 63 Bevelled
- Synseal Legend Comp Bevelled
- Veka Comp Sculptured
- Veka Halo System 10 Comp Bevelled
- Veka Halo Rustique Comp Sculptured

MXS 15/72 endcaps available

- Kommerling C70 Bevelled
- Rehau S706 Bevelled
- Spectus Elite 70 Bevelled
- Swish 24/7 Sculptured
- Veka M70 Bevelled

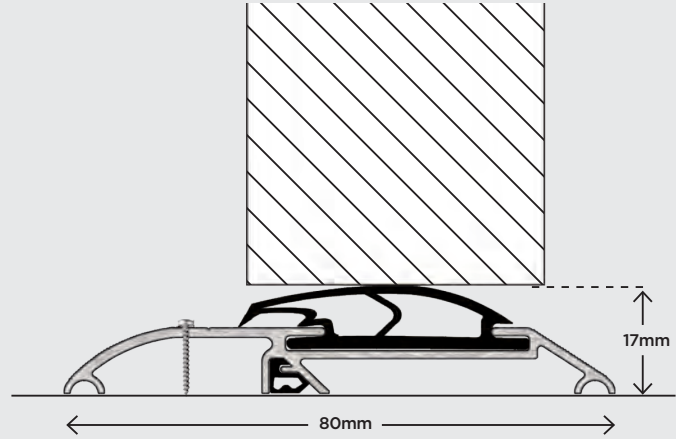
Threshex

Inward & Outward

Ref: 1.01.0450

Available in mill, gold, bronze & black

In sizes 933mm to 4590mm



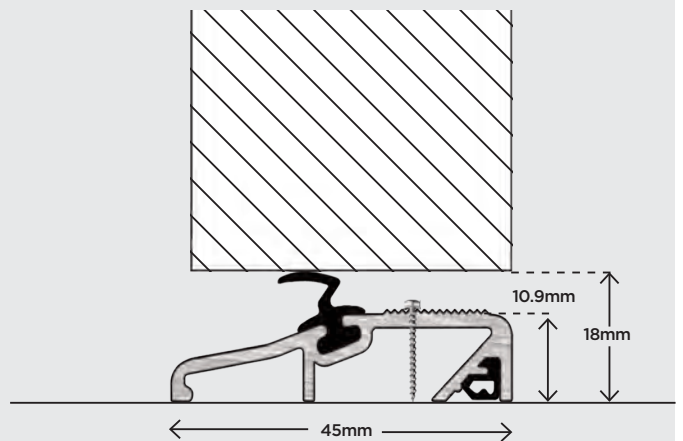
Slimline

Inward & Outward

Ref: 1.01.0420

Available in mill & gold

In sizes 914mm to 4590mm



Kleertread 20 & 25

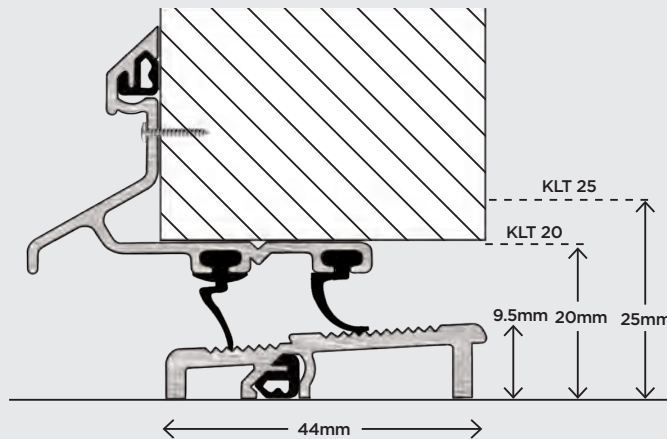
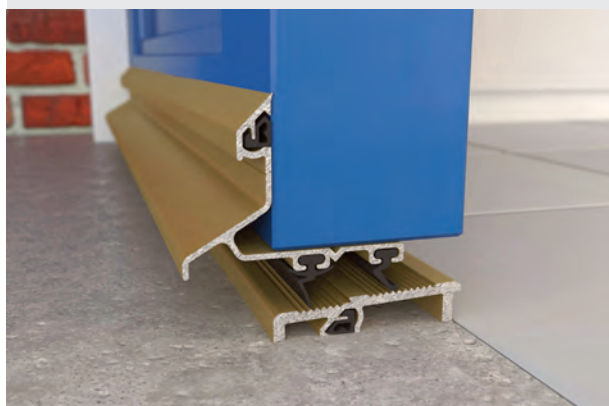
Inward & Outward

20 Ref: 1.01.0200

25 Ref: 1.01.0205

Available in mill, gold & black

In sizes 914mm to 4590mm



Industrial/Commercial Threshold Weatherbar

Inward & Outward

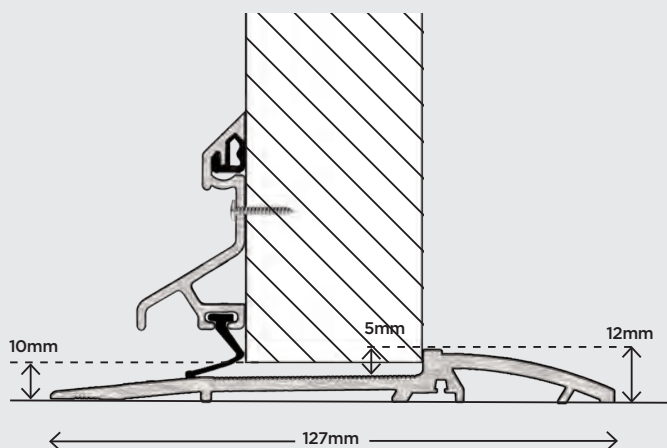
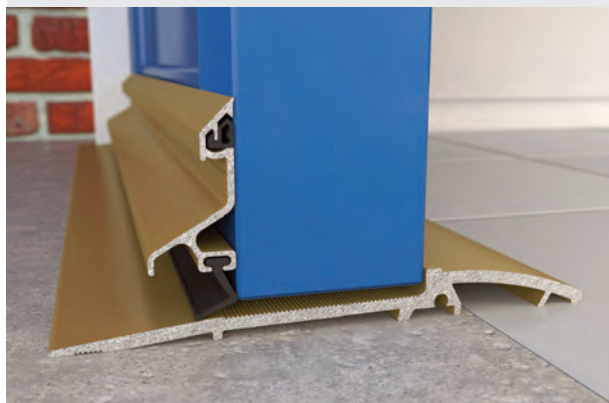
Ref: 1.01.0180

Accommodates forklifts & heavy goods vehicles

Suitable for roller shutters

Available in mill & gold

In sizes 914mm to 4590mm



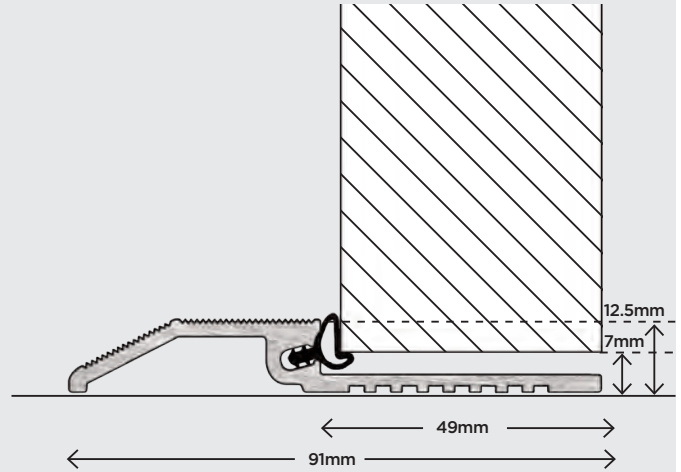
Commercial Door Threshold 91

Inward & Outward

Ref: 1.01.0453

Available in mill & gold

In sizes 1000mm to 3000mm



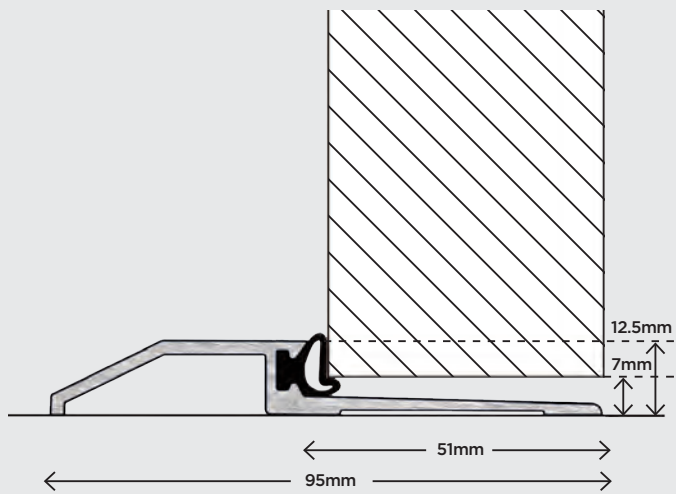
Commercial Door Threshold 95

Inward & Outward

Ref: 1.01.0448

Available in mill

In sizes 1000mm to 3000mm



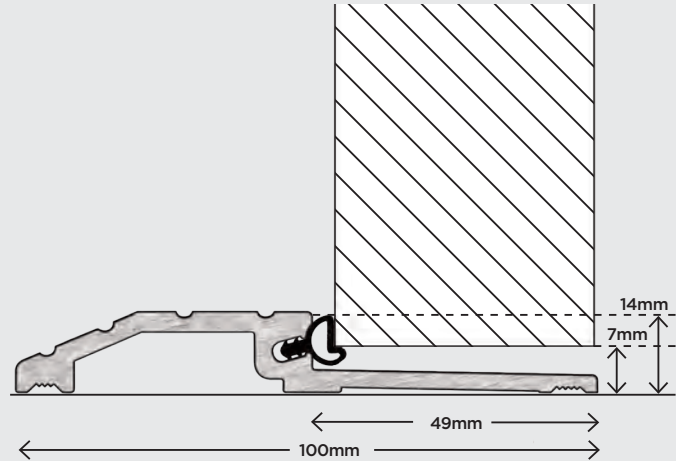
Commercial Door Threshold 100

Inward & Outward

Ref: 1.01.0458

Available in mill

In sizes 1000mm to 3600mm



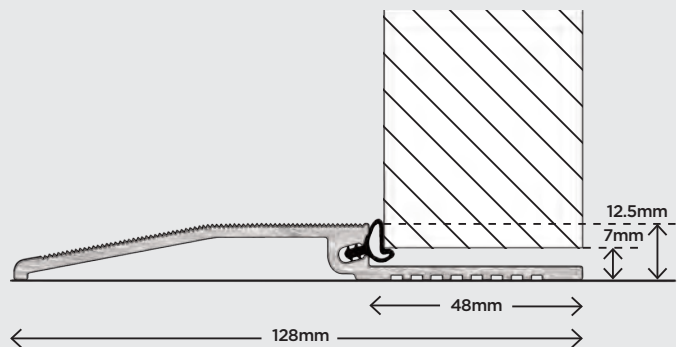
Commercial Door Threshold 128

Inward & Outward

Ref: 1.01.0454

Available in mill

In sizes 1000mm to 3000mm



MXS 15/2

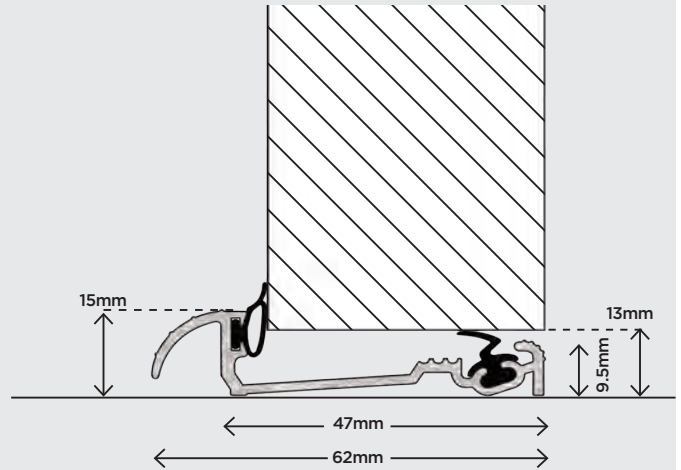
Inward

Ref: 1.01.0317

Accepts MWK Striker Block for flush bolts
in double doors

Available in mill, gold & black

In sizes 914mm to 4590mm



MXS 15/2 RITB

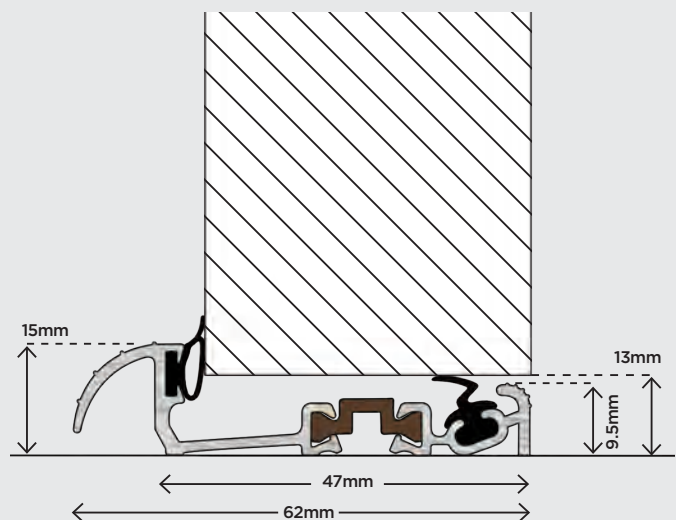
Inward

Ref: 1.01.0760

Thermally broken prevents condensation

Available in bright silver and gold

In sizes 914mm to 4590mm



MXS 15/4

Inward

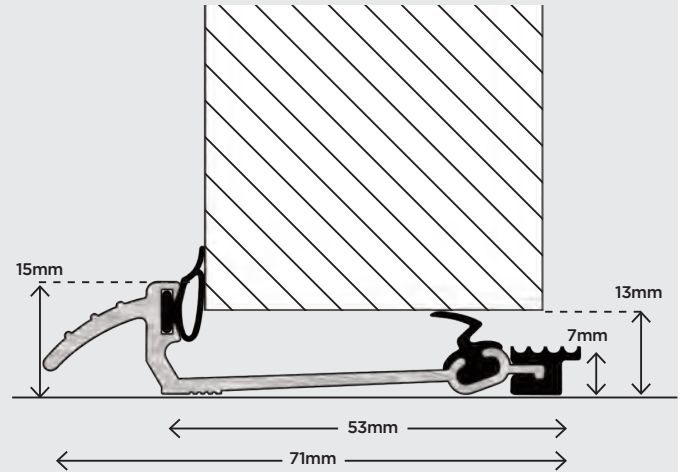
Ref: 1.01.0313

Accepts Standard Striker Block for flush bolts in double doors

Rear thermal barrier prevents condensation

Available in mill & gold

In sizes 1000mm to 4590mm



MXS 15/56

Inward

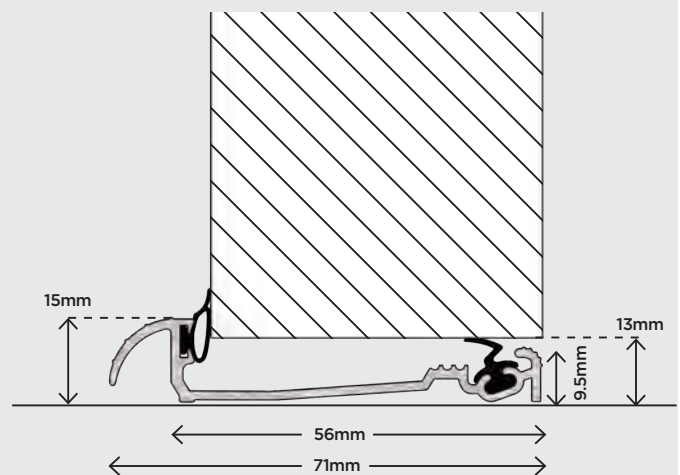
Ref: 1.01.0314

Designed for 56mm thick doors

Accepts MWK Striker Block for flush bolts in double doors

Available in mill, gold & black

In sizes 914mm to 4590mm



MXS 15/68

Inward

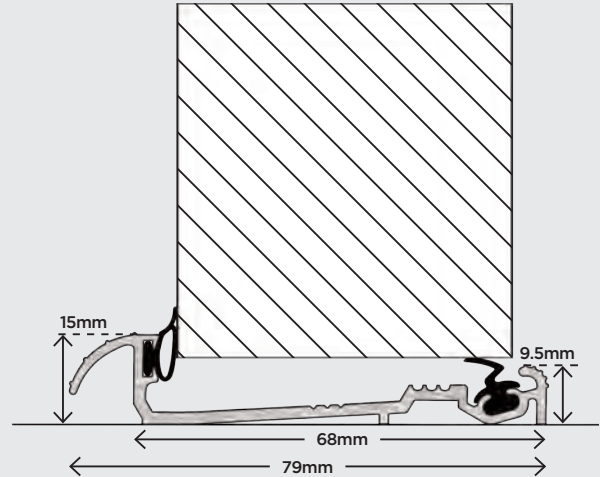
Ref: 1.01.0312

Designed for 56mm thick doors

Accepts MWK Striker Block for flush bolts
in double doors

Available in mill & gold

In sizes 914mm to 4590mm



MXS 15/68 RITB

Inward

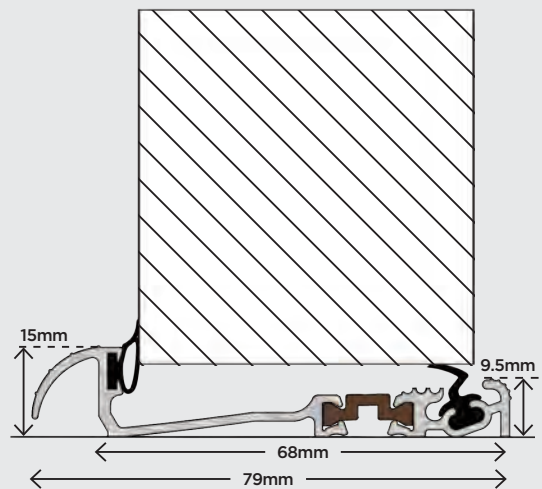
Ref: 1.01.0764

Designed for 56mm thick doors

Thermally broken prevents condensation

Available in mill & gold

In sizes 914mm to 4590mm



MDS 70 RITB

Inward

Ref: 1.01.0770

Thermally broken to meet thermal bridging and insulation requirements

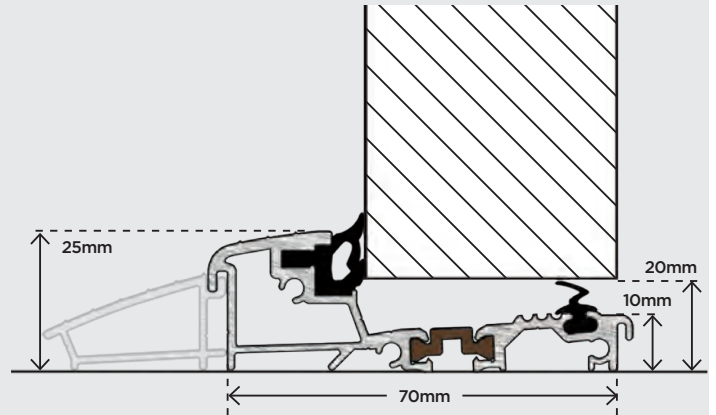
Accepts both internal and FSB Endcaps

Optional front ramp available separately

Accepts MWK Striker Block for flush bolts in double doors

Available in gold & SAA

In sizes 1000mm to 4000mm



MDS 70 RITB Outward Infill

Outward

Ref: 1.01.0773

Converts MDS 70 RITB to outward opening

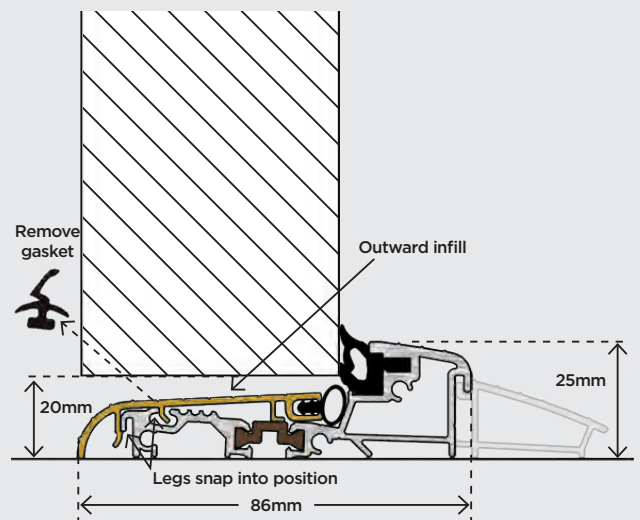
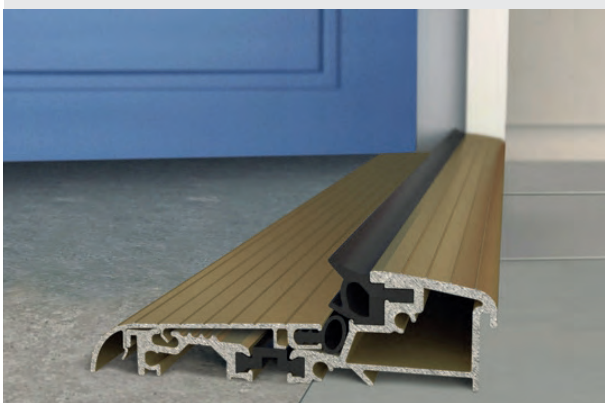
Remove gasket as per illustration

Insert outward infill

Optional ramp available separately

Available in gold & SAA

In sizes 1000mm to 4000mm



MDS 70 Subsill RITB

Inward

Ref: 1.01.0772

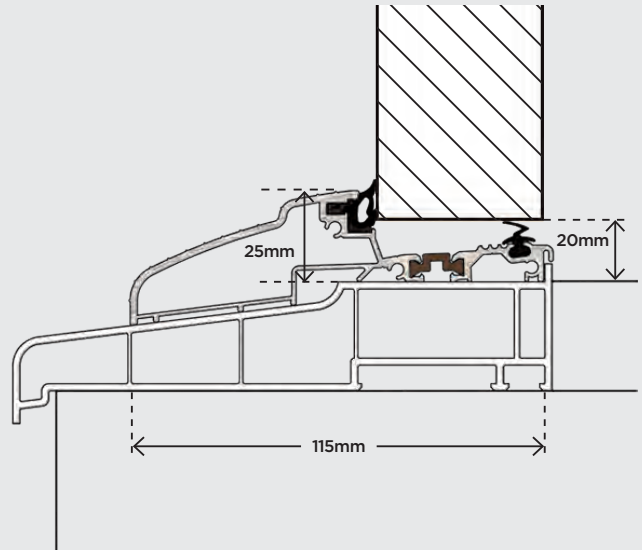
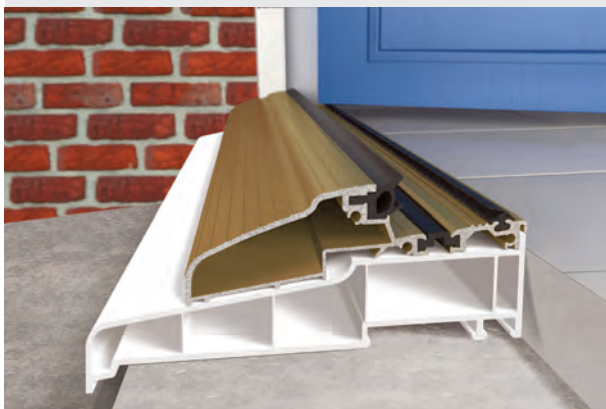
Designed for use with PVC, Wood or Composite Subsill

Thermally broken prevents condensation

Accepts MWK Striker Block for flush bolts in double doors

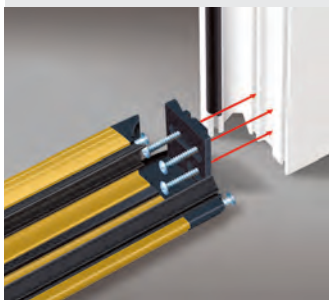
Available in SAA & gold

In sizes 1000mm to 4000mm



MDS 70 RITB Endcaps

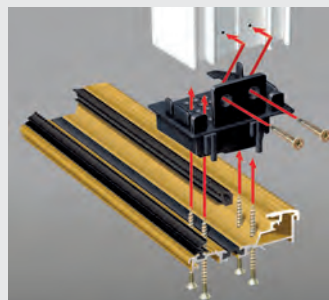
Internal Endcap



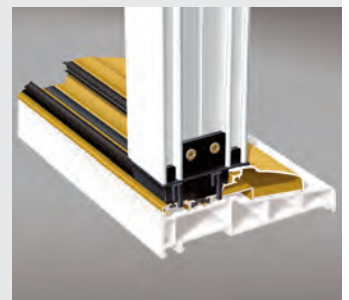
Internal Endcap



FSB Endcap



FSB Endcap



Internal endcaps available

Deceuninck 2833 Sculptured
 Duraflex 7504 Comp Sculptured
 Duraflex 7512 Sculptured
 Eurocell Eurologik Bevelled / Ovolo
 Eurocell EWS031 Comp Bevelled
 Halo Rustique Comp & PVC Sculptured
 Halo System 10 Comp Bevelled
 Kommerling Alustar Bevelled
 Kommerling C70 Bevelled / O70 Sculptured

Liniar LSW016 PVC Sculptured
 Liniar LSW018 Comp Sculptured
 Profile 22 Optima Composite Bevelled
 Rehau S706 Bevelled / Sculptured
 Rehau Total 70 Comp Bevelled
 Selecta Advance 70 Bevelled
 Sheerframe 8000 Sculptured
 Spectus Elite 70 Bevelled
 Swish 24/7 Sculptured
 Veka FSS Sculptured
 Veka M70 Bevelled

MDS FSB endcaps available

FSB Duraflex 7512 Sculptured
 FSB Eurocell Eurologik PVC Sculptured
 FSB Kommerling C70 PVC Bevelled
 FSB Kommerling O70 PVC Sculptured
 FSB Profile 22 Composite Black
 FSB Profile 22 Optima (Comp) Bevelled
 FSB Rehau S706 Comp Bevelled
 FSB Rehau S706 PVC Bevelled / Sculptured

OUM FSB endcaps available

FSB Duraflex 7512 PVC Sculptured
 FSB Profile 22 Optima Comp Bevelled
 FSB Rehau S706 PVC Bevelled

MDS 80

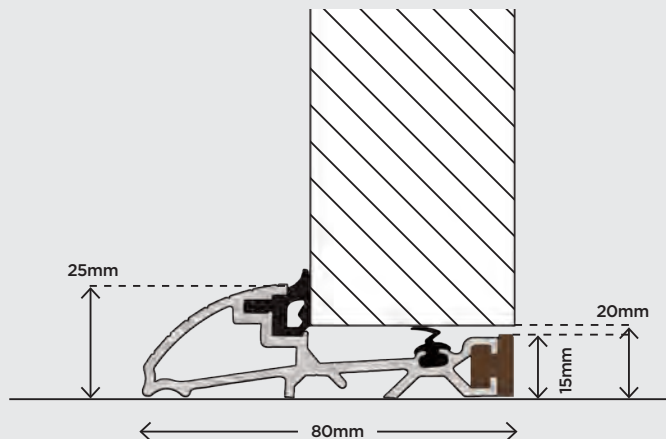
Inward

Ref: 1.01.0264

Rear thermal barrier prevents condensation

Available in gold & SAA

In sizes 914mm to 4590mm



MDS 80/2 RITB

Inward

Ref: 1.01.0754

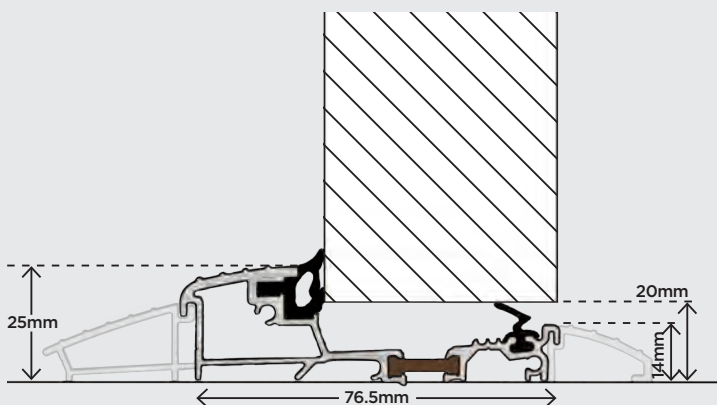
Thermally broken prevents condensation

Optional front & rear ramp available separately

Accepts MWK Striker Block for flush bolts in double doors

Available in gold & SAA

In sizes 1000mm to 4590mm



MDS 80/2/58 RITB

Inward

Ref: 1.01.0753

Suitable for 58mm doors

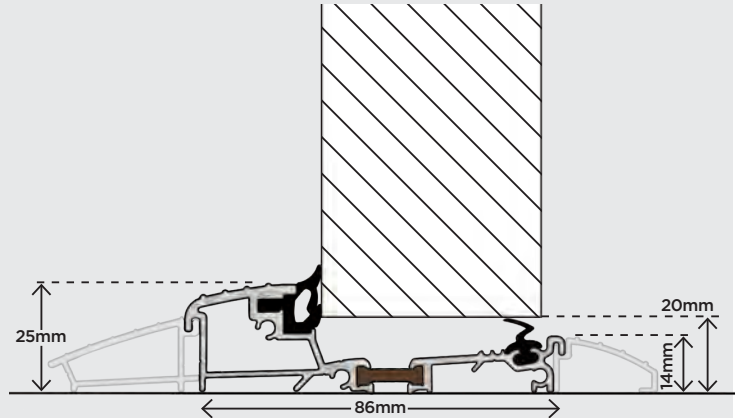
Thermally broken prevents condensation

Optional front & rear ramp available separately

Accepts MWK Striker Block for flush bolts in double doors

Available in gold & SAA

In sizes 1000mm to 4590mm



MDS 25/5/2 RITB

Inward

Ref: 1.01.0750

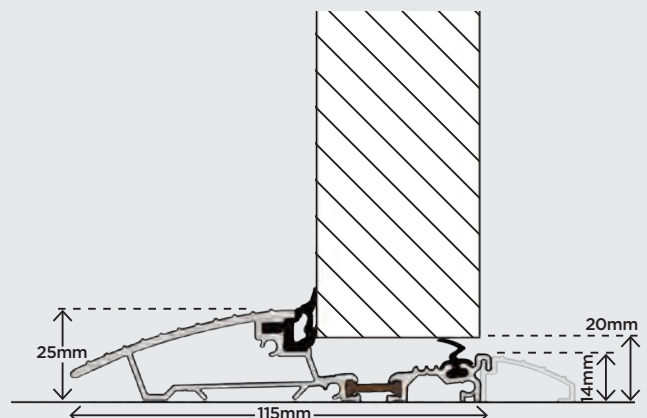
Thermally broken prevents condensation

Optional rear ramp available separately

Accepts MWK Striker Block for flush bolts in double doors

Available in gold & SAA

In sizes 1000mm to 4590mm



MDS 25/58 RITB

Inward

Ref: 1.01.0751

Suitable for 58mm doors

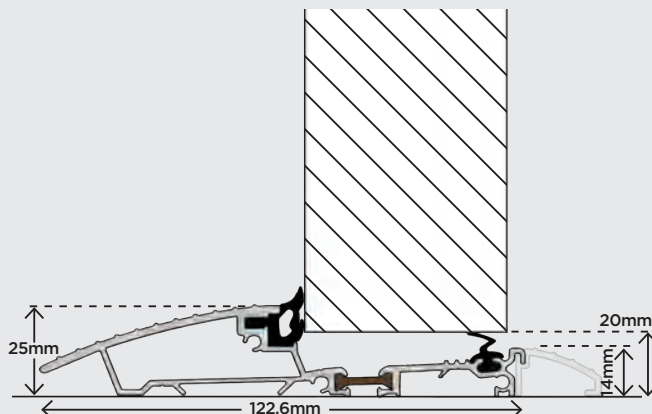
Thermally broken prevents condensation

Optional rear ramp available separately

Accepts MWK Striker Block for flush bolts in double doors

Available in gold & SAA

In sizes 1000mm to 4590mm



MDS 150 RITB

Inward

Ref: 1.01.0756

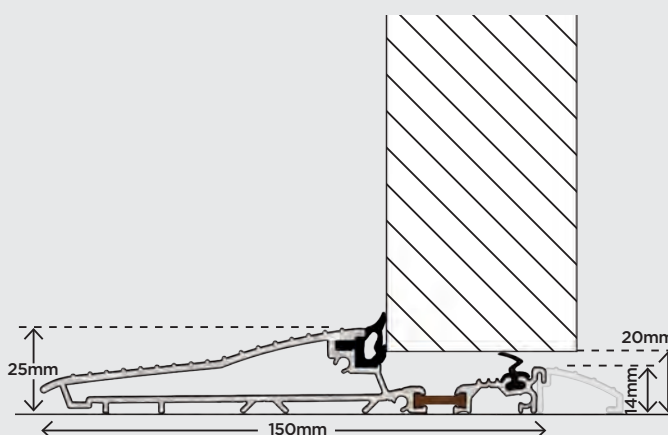
Thermally broken prevents condensation

Optional rear ramp available separately

Accepts MWK Striker Block for flush bolts in double doors

Available in gold & SAA

In sizes 1000mm to 4590mm



MDS 150/58 RITB

Inward

Ref: 1.01.0761

Suitable for 58mm doors

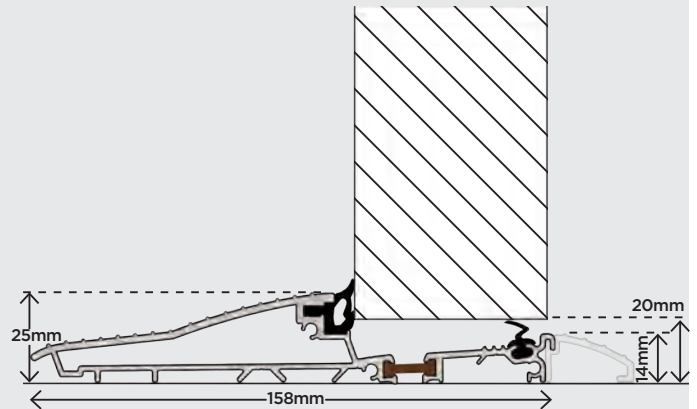
Thermally broken prevents condensation

Optional rear ramp available separately

Accepts MWK Striker Block for flush bolts in double doors

Available in gold & SAA

In sizes 1000mm to 4590mm



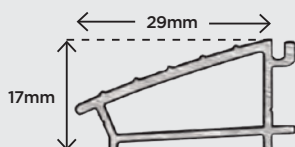
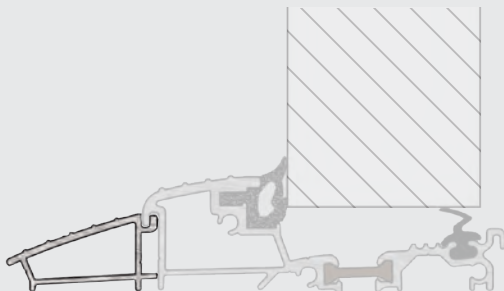
MDS Front Ramp / OUM Rear Ramp

Ref: 1.01.0763

Suitable for: MDS 80/2 RITB, MDS 80/2/58 RITB, MDS 70 RITB, OUM 70 RITB, OUM 70 Subsill RITB, OUM 80 RITB, OUM 125 RITB, OUM 150 RITB

Available in gold & SAA

In sizes 1000mm to 3000mm



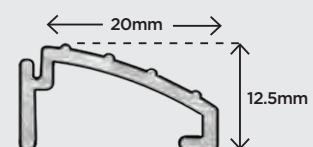
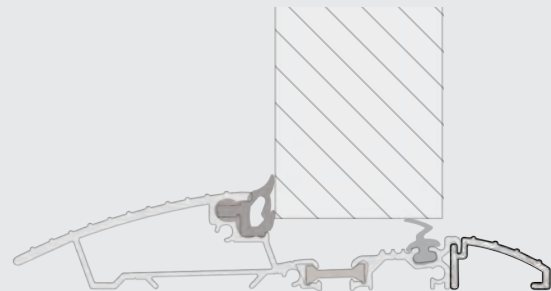
MDS Rear Ramp

Ref: 1.01.0762

Suitable for: MDS 25/5/2 RITB, MDS 25/58 RITB, MDS 80/2 RITB, MDS 80/2/58 RITB, MDS 150 RITB, MDS 150/58 RITB

Available in gold & SAA

In sizes 1000mm to 3000mm



Sidelight Infill

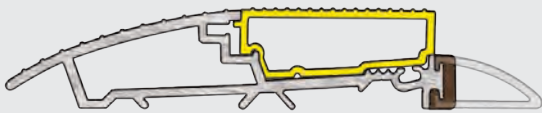
Ref: 1.01.0268

This profile fits into the channel of the MDS range of weatherbars allowing the sidelight to sit on top

Supplied complete with end caps

Available in mill & gold

In sizes 1000mm to 3000mm



Aluminium Door Infill 51mm x 22mm

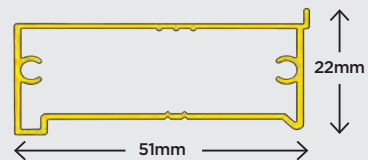
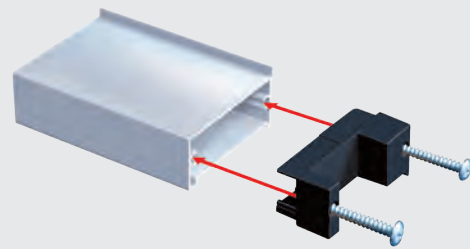
Ref: 1.01.0350

Fits to bottom of PVC Door to give a flush finish

Supplied with rebated endcaps to accept lock wraparound.

Available in SAA & Gold

In sizes from 1000mm to 6000mm



MWK 20

Inward

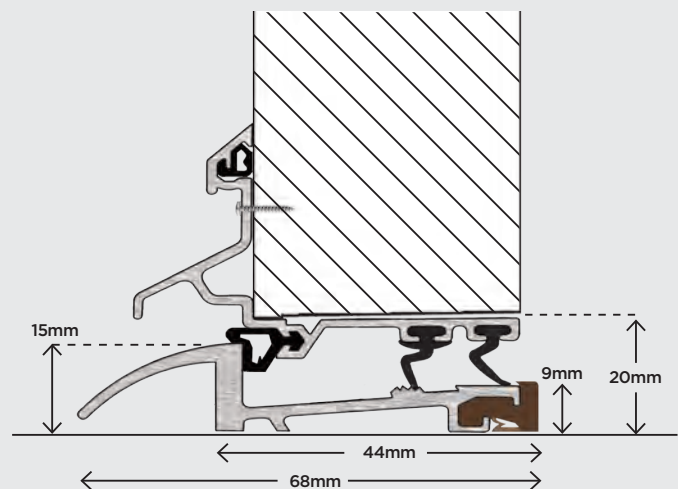
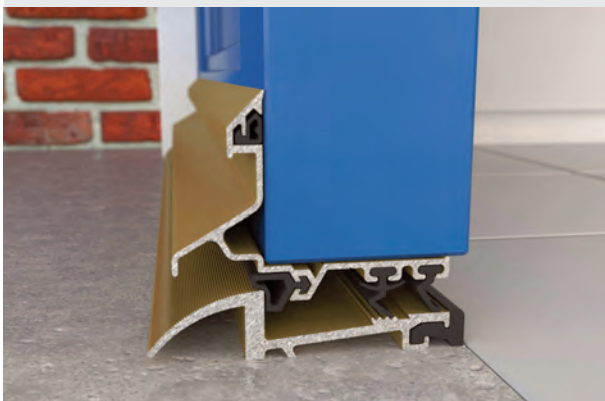
Ref: 1.01.0280

No seals underfoot to be damaged by foot traffic

Rear thermal barrier prevents condensation

Available in mill, gold, bronze & black

In sizes 914mm to 4590mm



MWK R/2/20

Inward

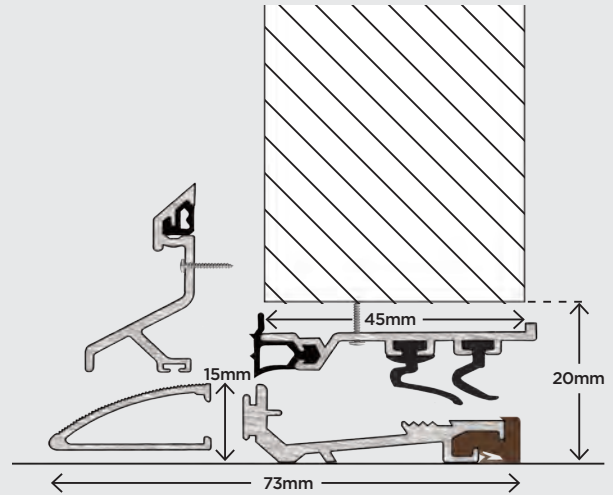
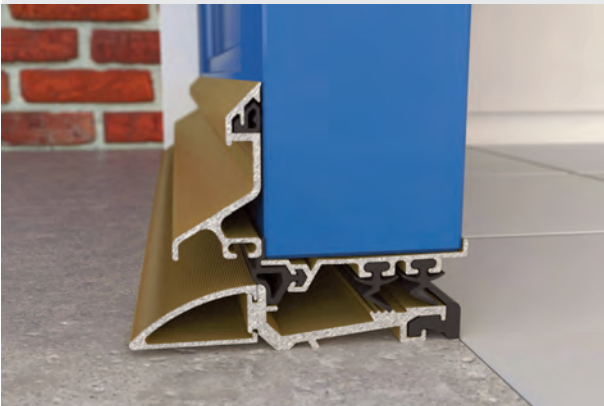
Ref: 1.01.0286

Separate components eliminates need for notching

Rear thermal barrier prevents condensation

Available in mill & gold

In sizes 914mm to 4590mm



MWK 25

Inward

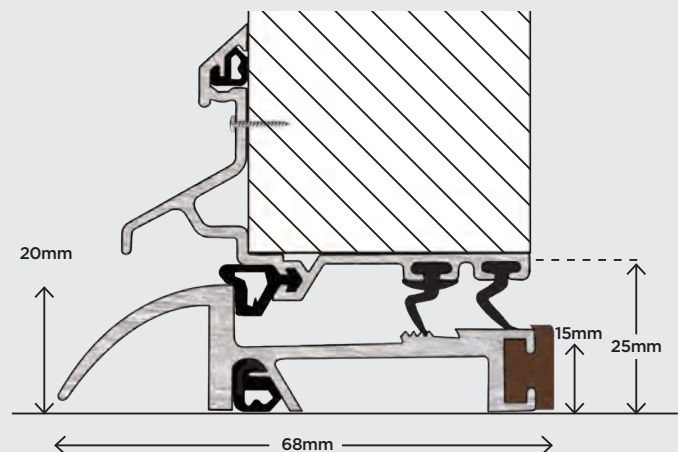
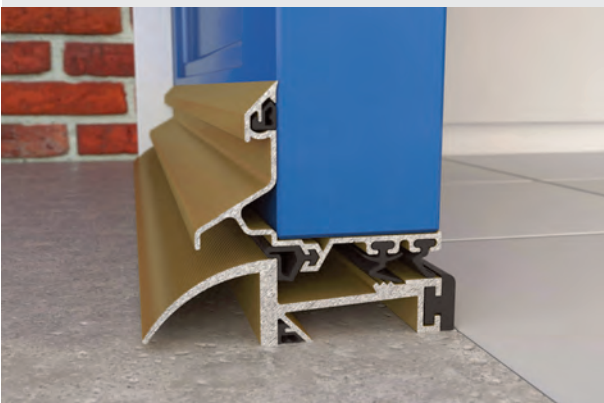
Ref: 1.01.0290

No seals underfoot to be damaged by foot traffic

Rear thermal barrier prevents condensation

Available in mill & gold

In sizes 914mm to 4590mm



MWK R/2/25/MK2

Inward

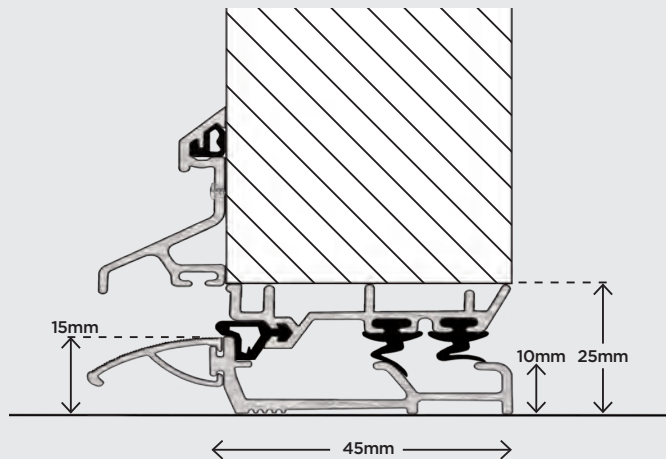
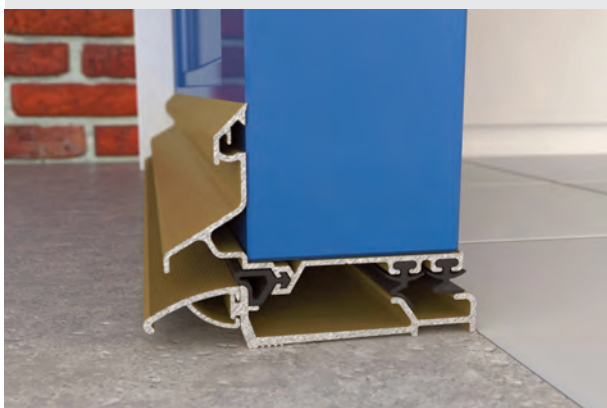
Ref: 1.01.0460

No seals underfoot to be damaged by foot traffic

Detachable front ramp eliminates need for notching

Available in mill & gold

In sizes 914mm to 4590mm



MWK 27

Inward

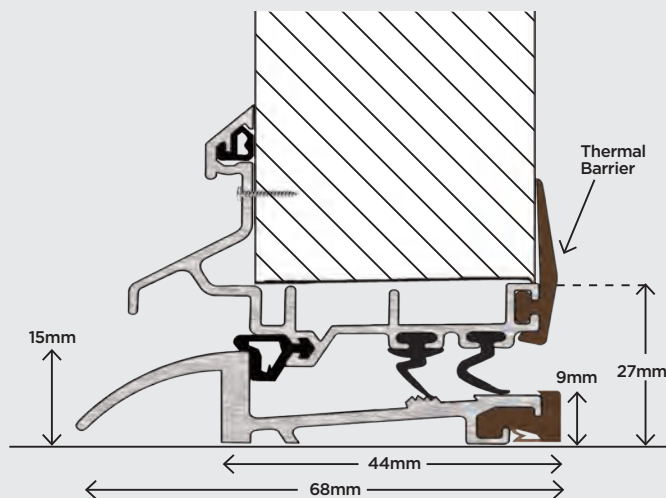
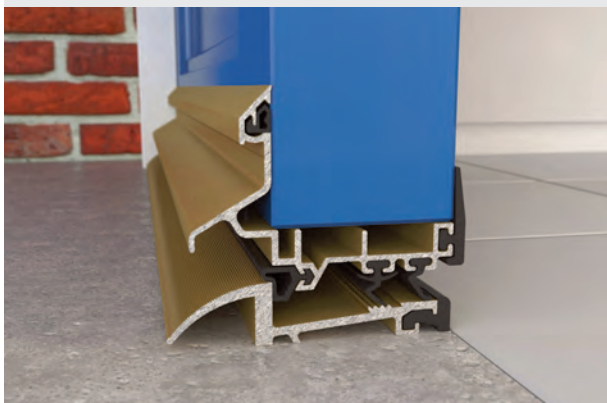
Ref: 1.01.0297

No seals underfoot to be damaged by foot traffic

Rear thermal barrier prevents condensation

Available in mill & gold

In sizes 914mm to 4590mm



Auto Seal

Inward

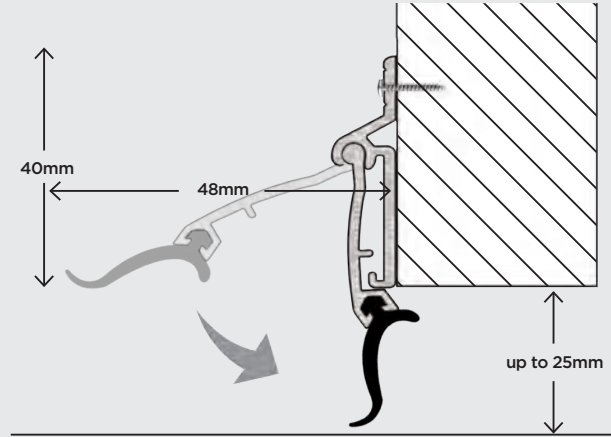
Ref: 1.01.0016

An automatic rise & fall draught excluder

Barrier free access ideal for wheelchairs

Available in gold & SAA

In sizes 914mm to 1220mm



OUM

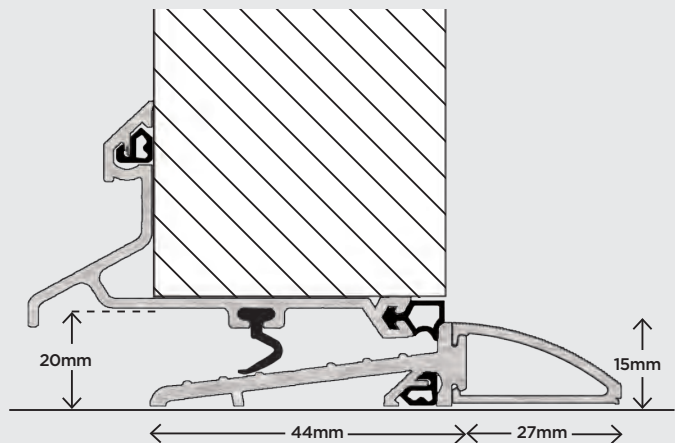
Outward

Ref: 1.01.0330

No seals underfoot to be damaged by foot traffic

Available in mill & gold

In sizes 914mm to 4590mm



OUM Thicker Door

Outward

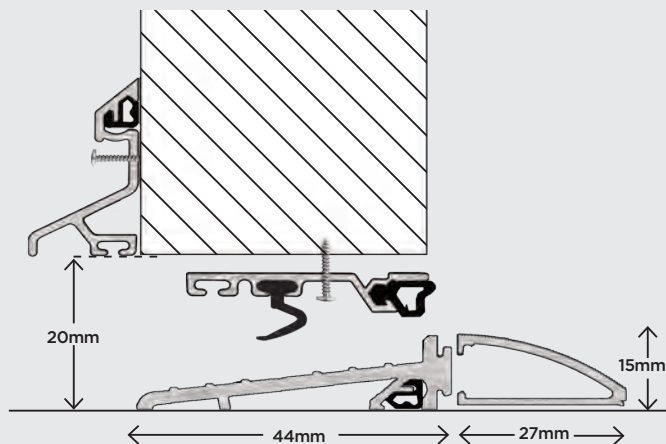
Ref: 1.01.0331

Designed for doors 44mm thick & over

Separate deflector & seal carrier

Available in mill & gold

In sizes 914mm to 4590mm



OUM 2 RITB

Outward

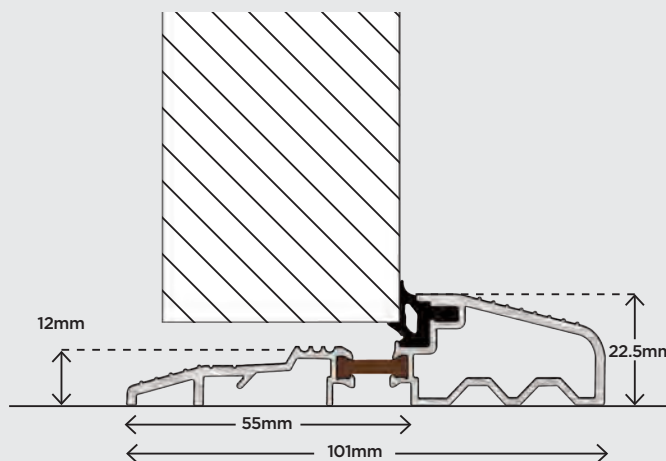
Ref: 1.01.0759

Thermally broken prevents condensation

Accepts MWK Striker Block for flush bolts in double doors

Available in gold & SAA

In sizes 1000mm to 4590mm



OUM 4

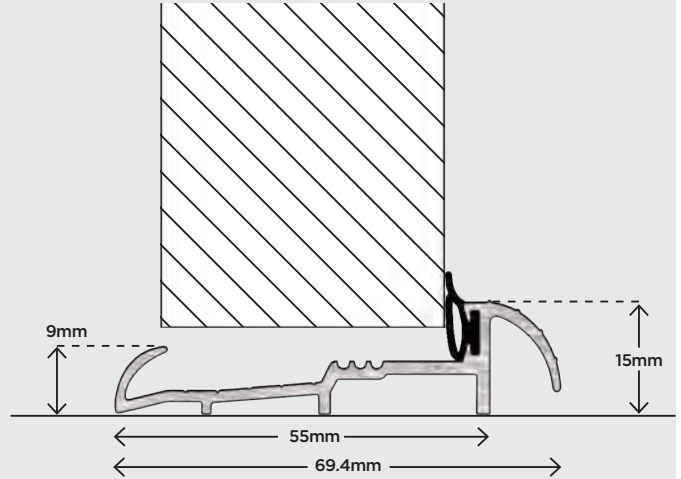
Outward

Ref: 1.01.0339

Accepts MWK Striker Block for flush bolts
in double doors

Available in mill, gold, black & bronze

In sizes 914mm to 4590mm



OUM 5 RITB

Outward

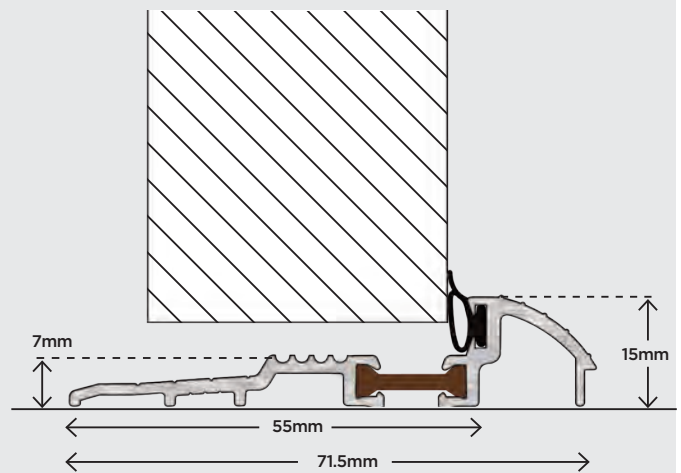
Ref: 1.01.0758

Accepts MWK Striker Block for flush bolts
in double doors

Thermally broken prevents condensation

Available in mill & gold

In sizes 914mm to 4590mm

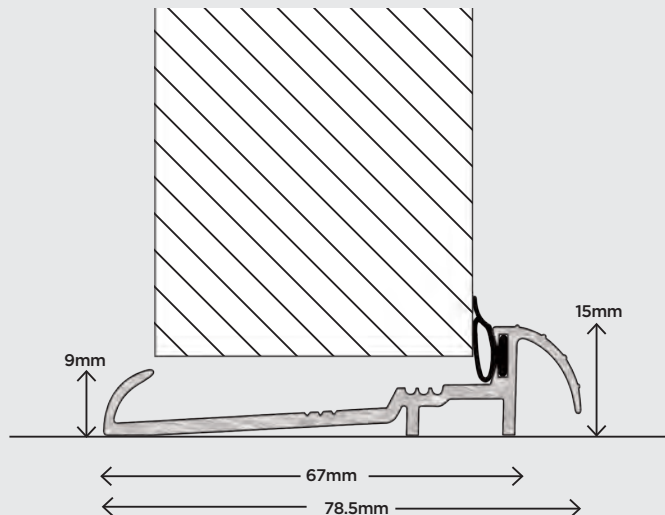


OUM 6

Outward

Ref: 1.01.0343

- Designed for doors 56mm thick and over
- Accepts MWK Striker Block for flush bolts in double doors
- Available in mill, gold and black
- In sizes 914mm to 4590mm

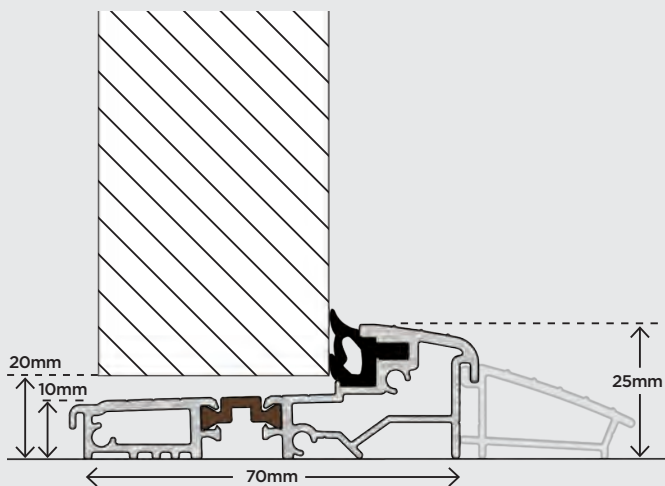


OUM 70 RITB

Outward

Ref: 1.01.0775

- Thermally broken prevents condensation
- Optional rear ramp available separately
- Available in gold & SAA
- In sizes 1000mm to 4590mm



OUM 80 RITB

Outward

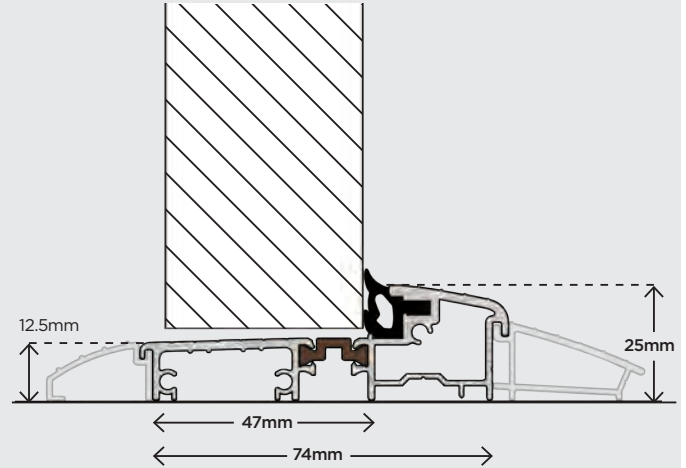
Ref: 1.01.0765

Thermally broken prevents condensation

Optional front & rear ramp available separately

Available in gold & SAA

In sizes 1000mm to 4590mm



OUM 125 RITB

Outward

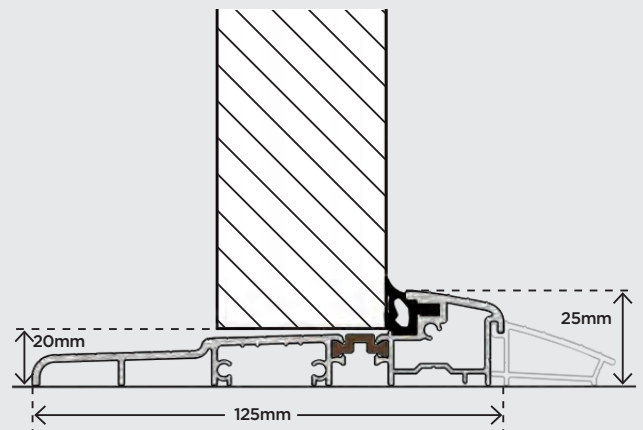
Ref: 1.01.0767

Thermally broken prevents condensation

Optional rear ramp available separately

Available in gold & SAA

In sizes 1000mm to 4590mm



OUM 70 Subsill RITB

Outward

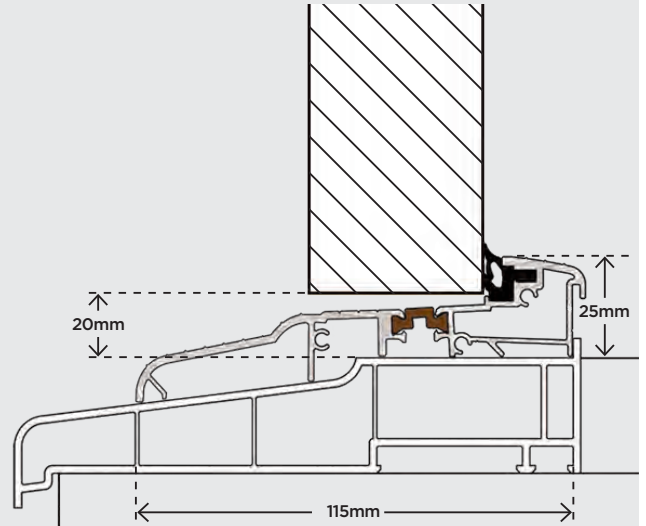
Ref: 1.01.0774

Designed for use with PVC, Wood or Composite Subsill

Thermally broken prevents condensation

Available in gold & SAA

In sizes 1000mm to 4590mm



OUM 150 RITB

Outward

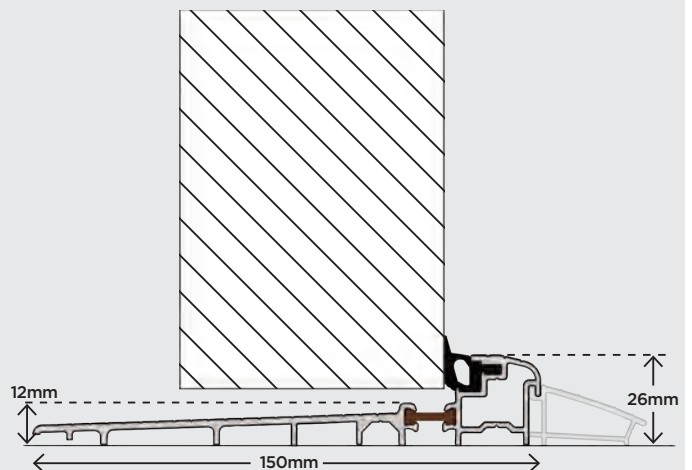
Ref: 1.01.0757

Thermally broken prevents condensation

Optional rear ramp available separately

Available in gold & SAA

In sizes 1000mm to 4590mm



Weatheren Bar Lowline

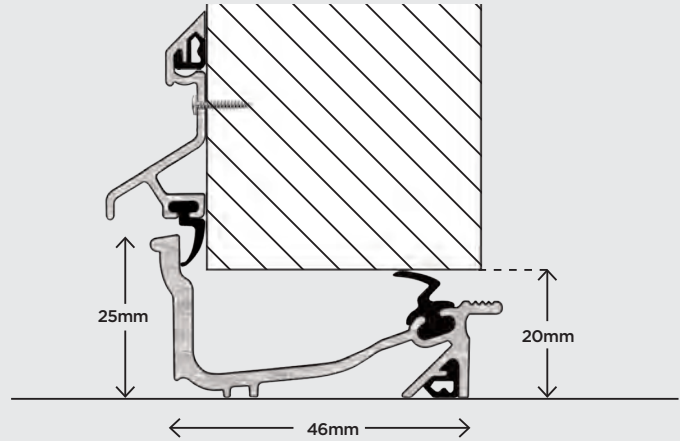
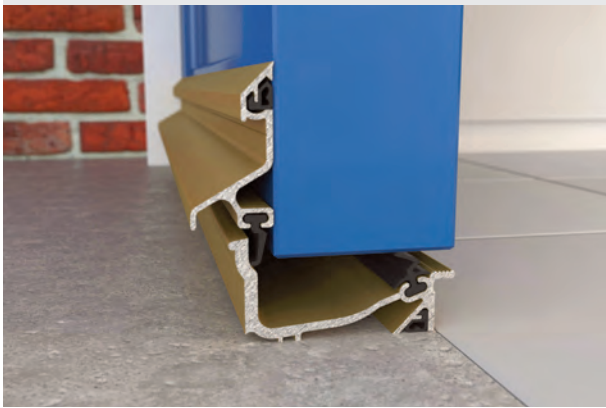
Inward

Ref: 1.01.0501

Accepts Standard Striker Block for flush bolts in double doors.

Available in mill, gold, bronze & black

In sizes 914mm to 4590mm



Weatheren Bar

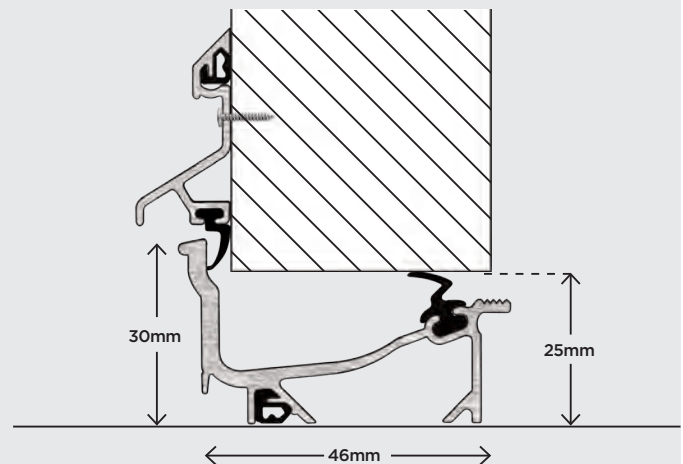
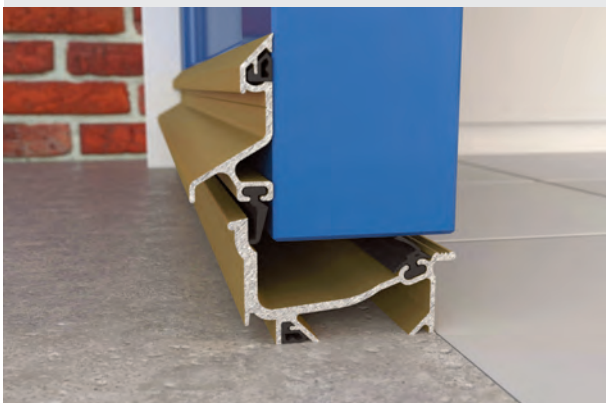
Inward

Ref: 1.01.0500

Accepts Standard Striker Block for flush bolts in double doors

Available in mill, gold, bronze & black

In sizes 914mm to 4590mm



Macclex Lowline

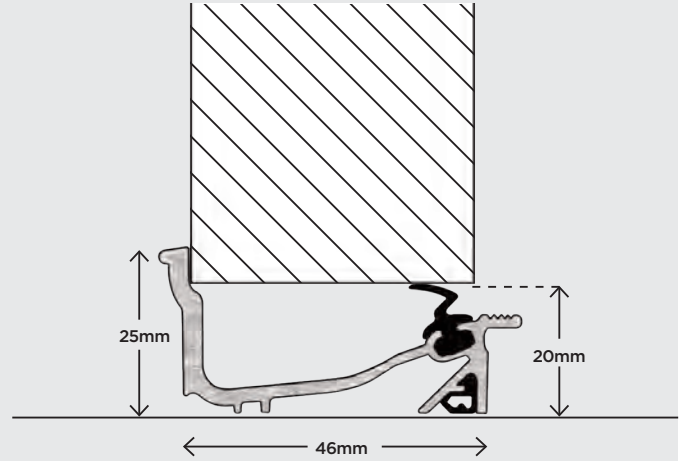
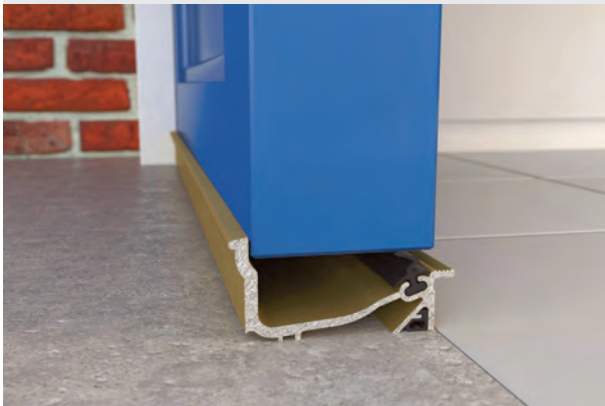
Inward

Ref: 1.01.0305

Accepts Standard Striker Block for flush bolts in double doors

Available in mill, gold, bronze & black

In sizes 914mm to 4590mm



Macclex

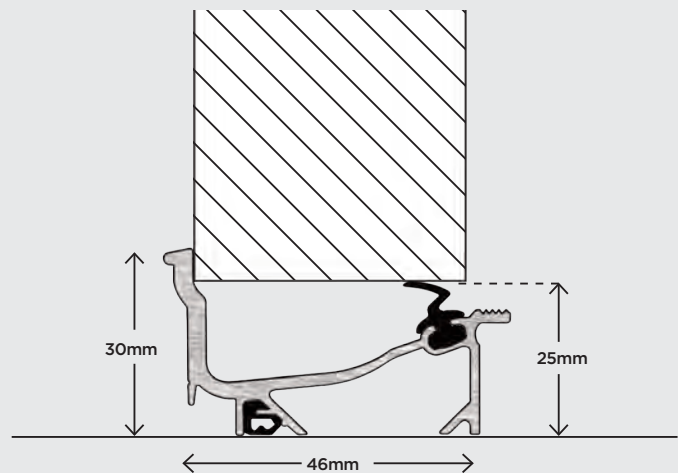
Inward

Ref: 1.01.0300

Accepts Standard Striker Block for flush bolts in double doors

Available in mill, gold, bronze & black

In sizes 914mm to 4590mm



Bristlex

Inward

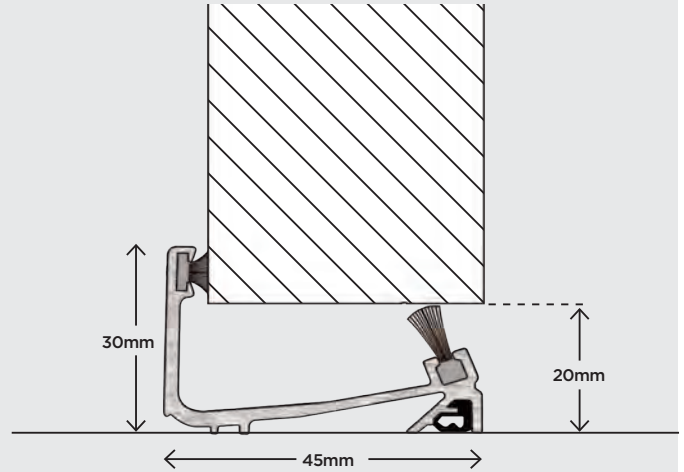
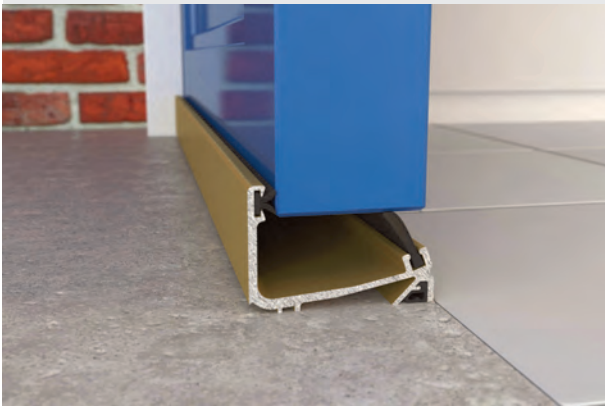
Ref: 1.01.0070

Front seal pile

Rear seal bristle

Available in mill & gold

In sizes 914mm to 4590mm



Hi-Per Bar

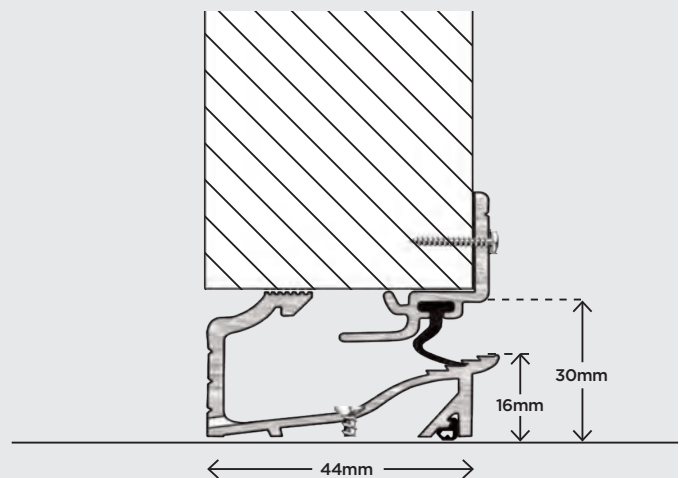
Inward

Ref: 1.01.0170

No seals underfoot to be damaged by foot traffic

Available in mill, gold, bronze & black

In sizes 914mm to 4590mm



Double Sealing Sill

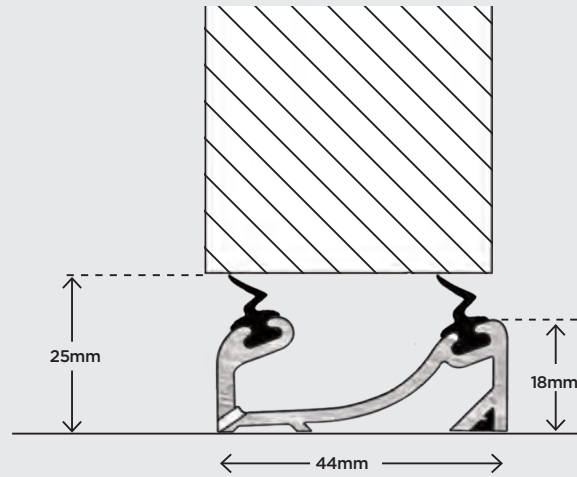
Inward & Outward

Ref: 1.01.0120

Accepts Standard Striker Block for flush bolts in double doors

Available in mill & gold

In sizes 914mm to 4590mm



ODD

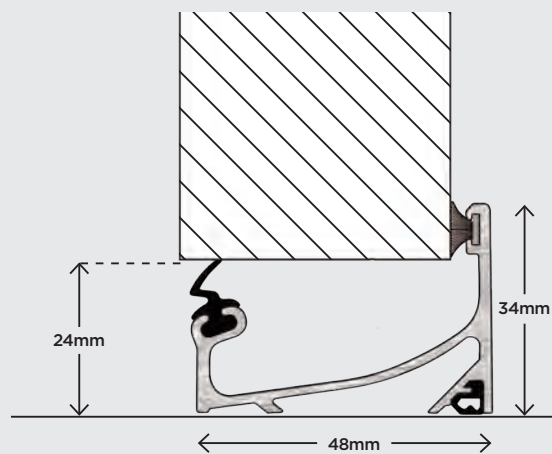
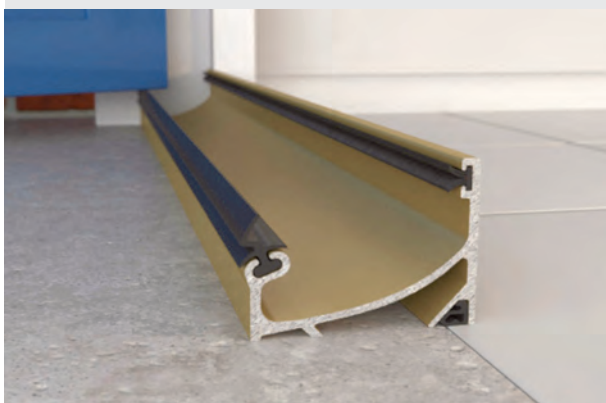
Outward

Ref: 1.01.0325

Accepts Standard Striker Block for flush bolts in double doors

Available in mill, gold, bronze & black

In sizes 914mm to 4590mm

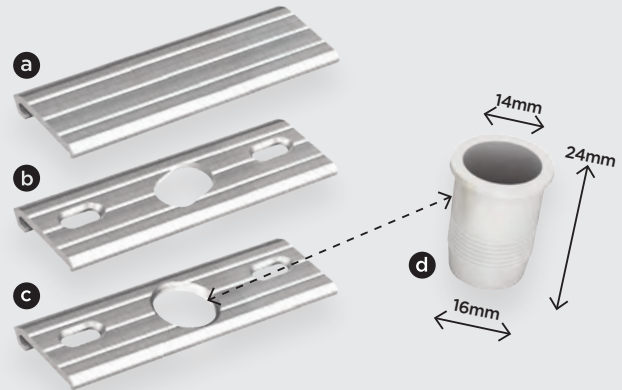


MWK Striker Block & Accessories

1. MWK Striker Block can be supplied blank (a) or pre-machined for adjustment (b) & (c)

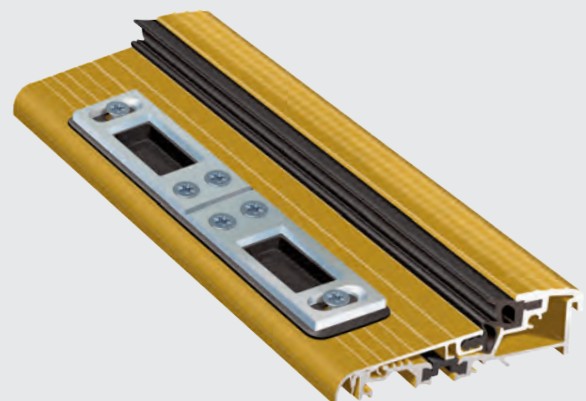
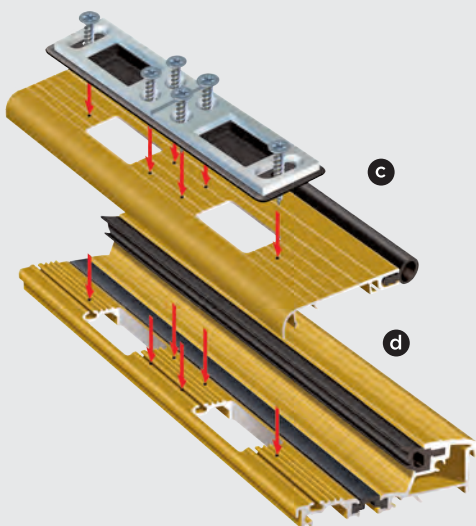
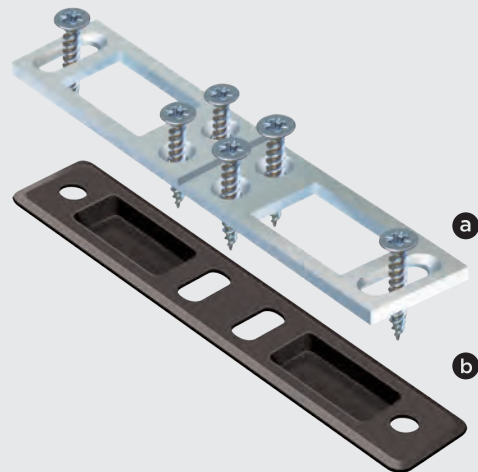


2. Optional Striker Block Thimble can be used in conjunction with the MWK Striker Block or on its own (d)



MDS / OUM Lock Keep / Bucket Keep

- a. MDS/OUM Lock Keep Ref: 1.01.0635.0000.30
- b. MDS/OUM Bucket Keep Ref: 1.01.0636.0000.00
- c. MDS 70 RITB Outward Infill Ref: 1.01.0773
- d. MDS 70 RITB Ref: 1.01.0770

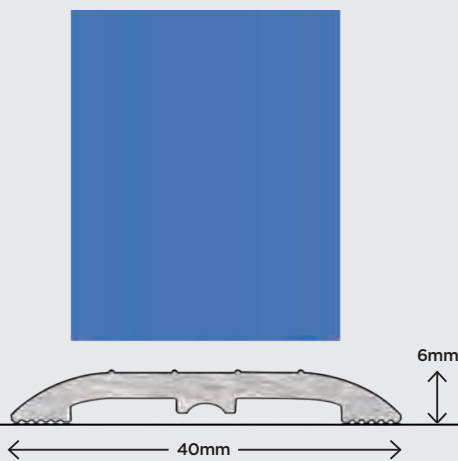


CDT 40 Tie Bar

Ref: 1.01.0496

Available in SAA

In sizes 1000mm to 3000mm

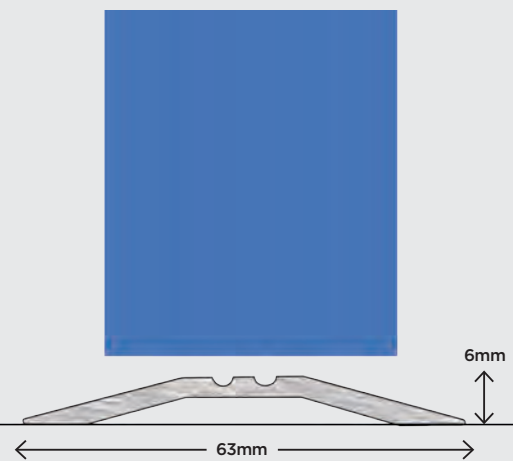


CDT 63 Tie Bar

Ref: 1.01.0449

Available in mill

In sizes 1000mm to 3000mm

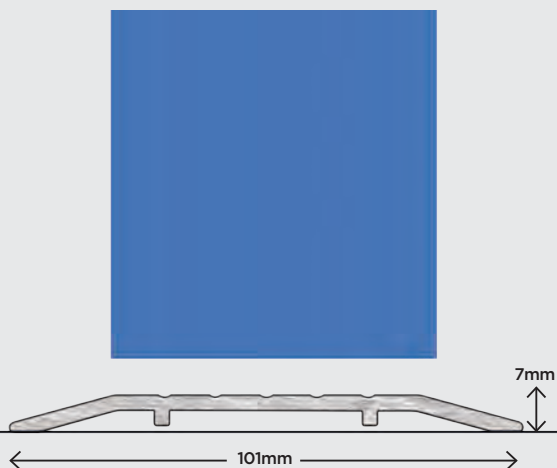


CDT 101 Tie Bar

Ref: 1.01.0447

Available in mill

In sizes 1000mm to 3000mm

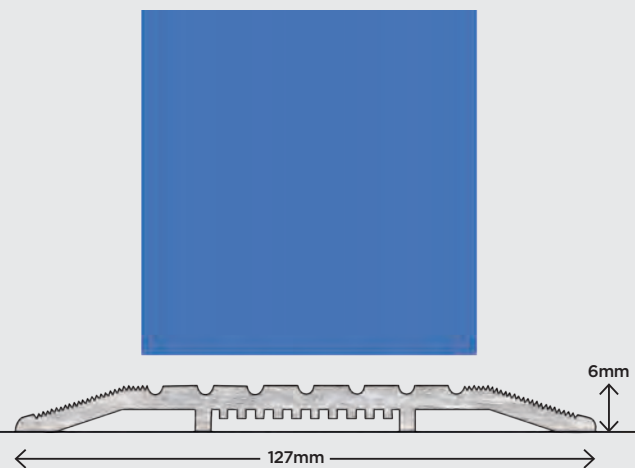


CDT 127 Tie Bar

Ref: 1.01.0456

Available in mill

In sizes 1000mm to 3000mm

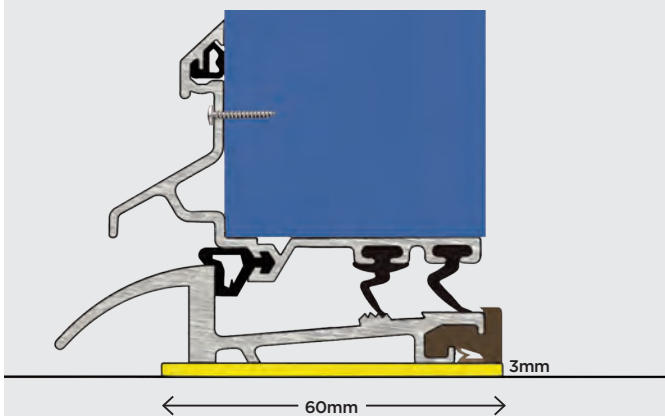


3x60 Flat Tie Bar

Ref: 1.01.0259

Available in mill

In sizes 1000mm to 4590mm

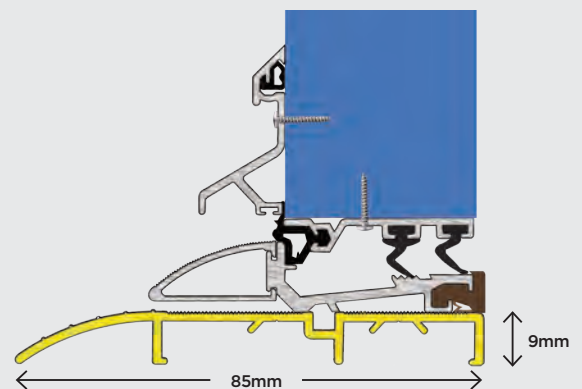


PTB 85 Tie Bar

Ref: 1.01.0340

Available in mill & gold

In sizes 1000mm to 3000mm

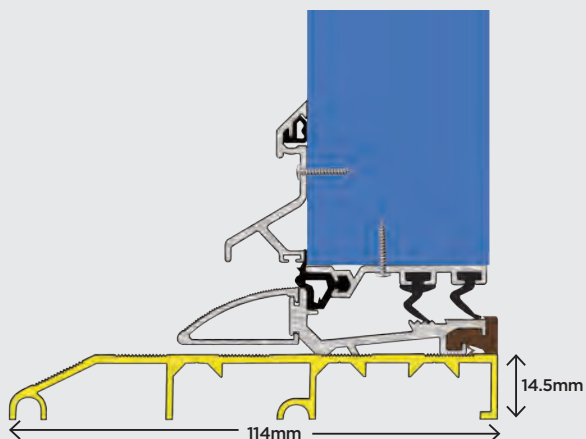


PTB 114 Tie Bar

Ref: 1.01.0341

Available in mill & gold

In sizes 1000mm to 3000mm

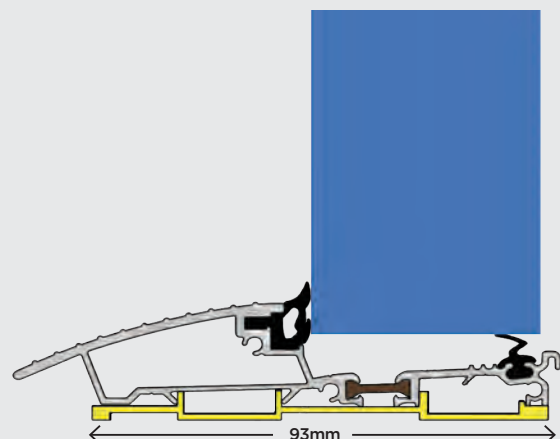


MDS 25 Tie Bar

Ref: 1.01.0256

Available in mill

In sizes 1000mm to 3000mm



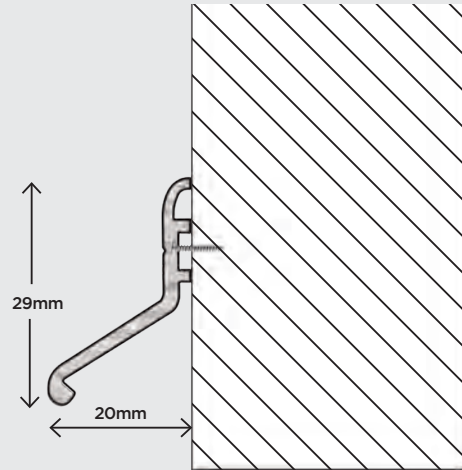
Deflector 20

Inward

Ref: 1.01.0110

Available in mill, gold, white, black & bronze

In sizes 914mm to 4590mm



Conceal Fix Expelex

Inward & Outward

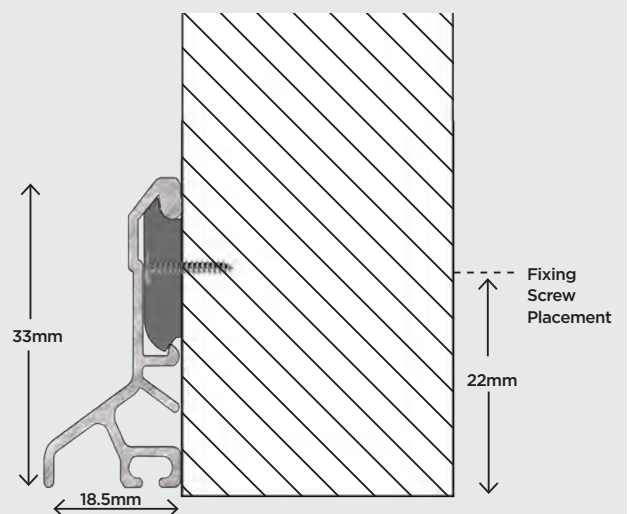
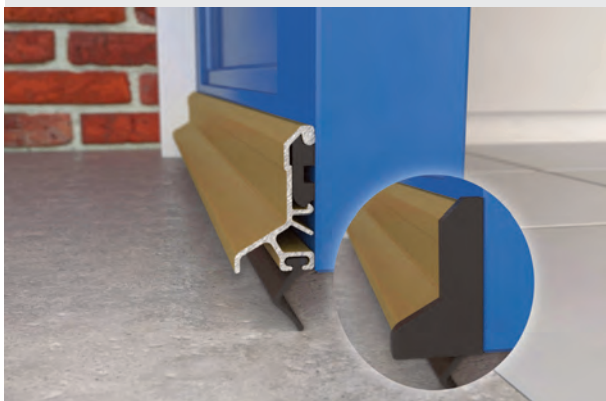
With Seal Ref: 1.01.0142

Without Seal Ref: 1.01.0143

No visible screws

Available in mill, gold, black, white, blue, green, red, slate grey, anthracite grey, clay brown, cream & chartwell green

In size 914mm



Radius Concealed Screw Fix Deflector

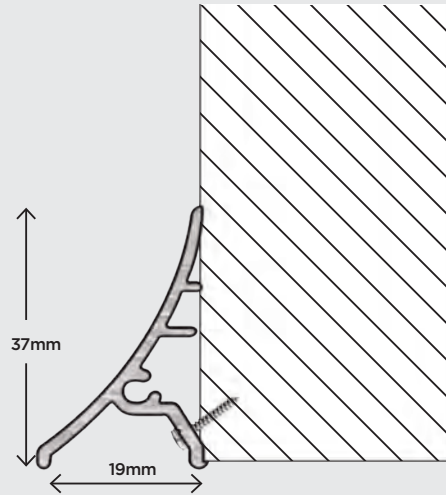
Inward & Outward

Ref: 1.01.0148

No visible screws

Available in mill, gold, black, green, red, blue, white, slate grey, anthracite grey, clay brown, cream & chartwell green

In size 914mm (mill & gold to 4590mm)



Expelex

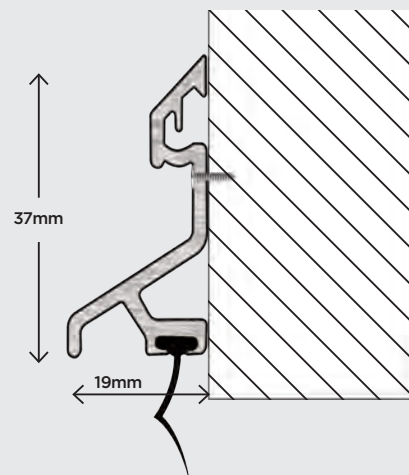
Inward & Outward

With Seal Ref: 1.01.0145

Without Seal Ref: 1.01.0146

Available in mill, gold, bronze, black, white, green & red

In sizes 914mm to 4590mm



ERD Rain Deflector

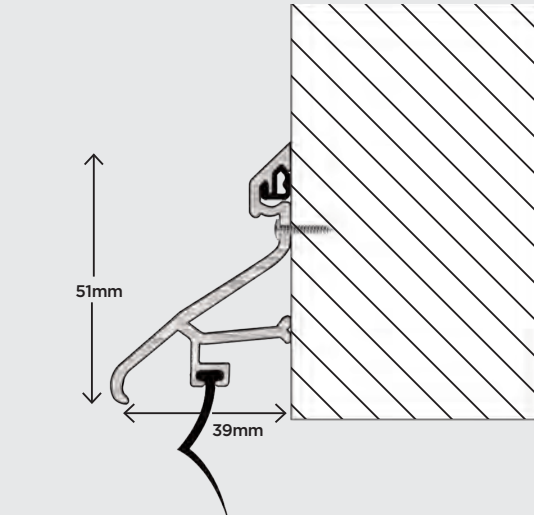
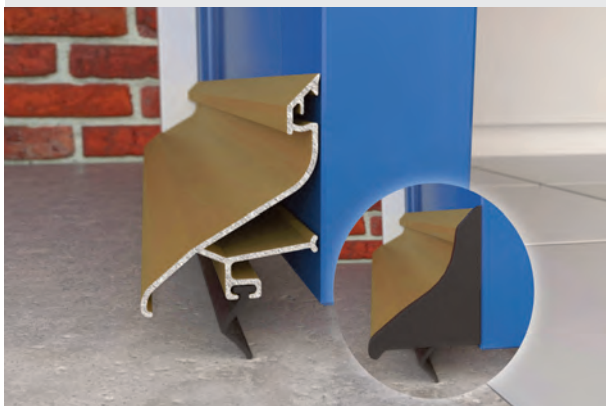
Inward & Outward

With Seal Ref: 1.01.0132

Without Seal Ref: 1.01.0130

Available in mill & gold

In sizes 914mm to 4590mm



Garex

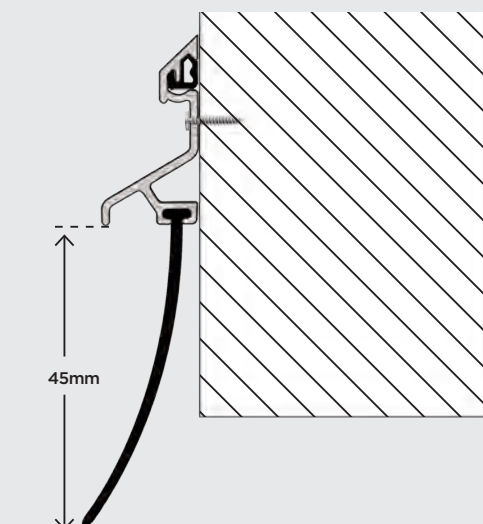
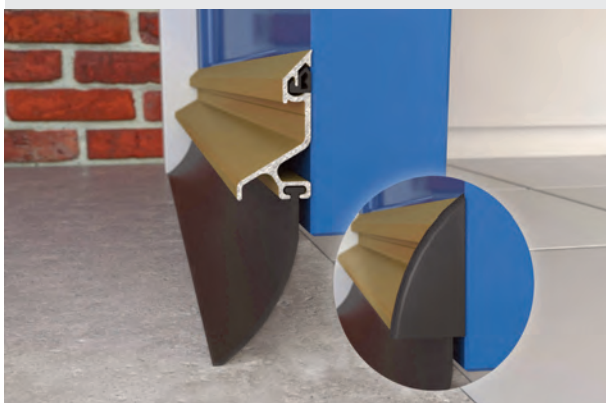
Inward, Outward & Roller Shutter doors

Ref: 1.01.0163

Suitable for steel, timber or composite doors

Available in mill, gold, bronze, black & white

In sizes 914mm to 4590mm



Garin

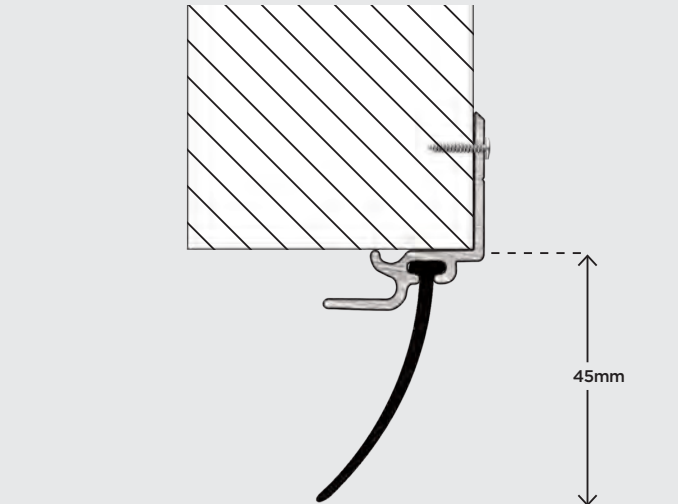
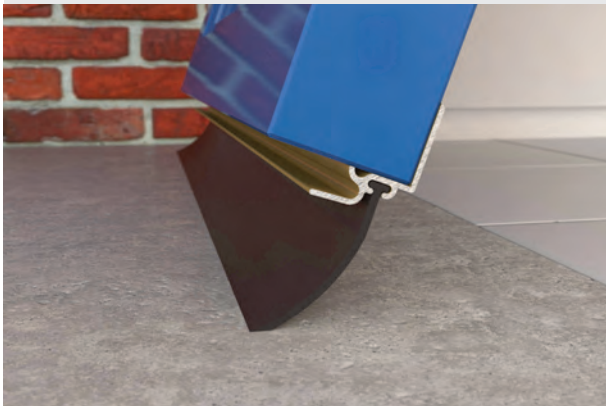
Inward, Outward & Roller Shutter doors

Ref: 1.01.0160

Suitable for steel, timber or composite doors

Available in mill, gold, bronze, black & white

In sizes 914mm to 4590mm



GIFS & IFS

Inward, Outward & Roller Shutter doors

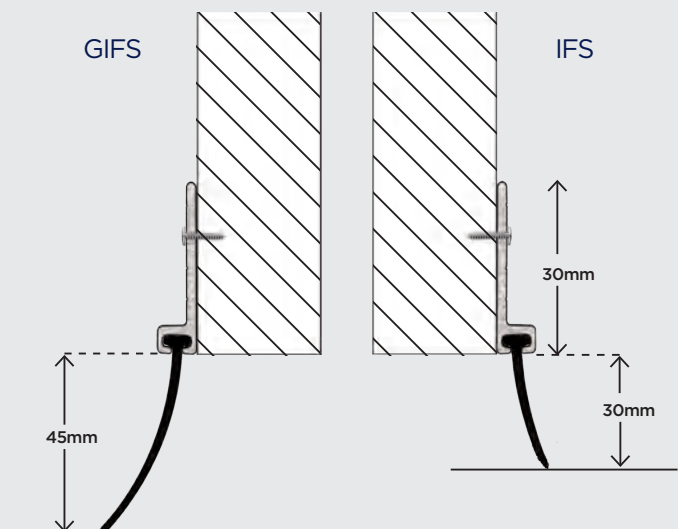
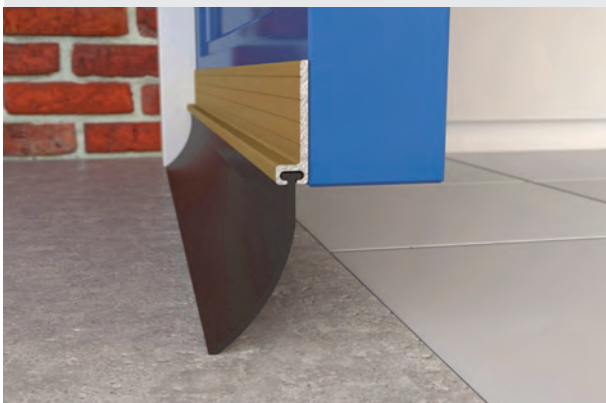
GIFS Ref: 1.01.0185

IFS Ref: 1.01.0182

Suitable for steel, timber or composite doors

Available in mill

In sizes 914mm to 4590mm



Bi-Fold Threshold

Outward

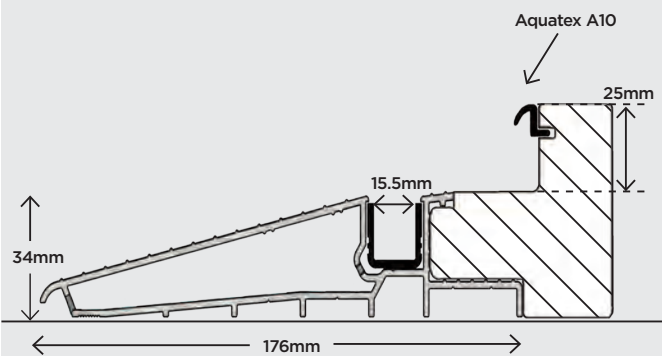
Ref: 1.01.0440

In sizes 1000mm to 4590mm

Available in SAA, gold, black & brown



Machining Detail

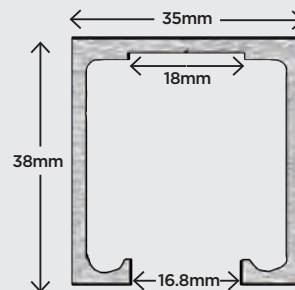


Bi-Fold Head Track

Ref: 1.01.0441

In sizes 1000mm to 4590mm

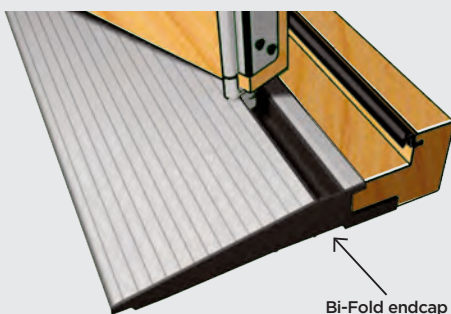
Available in SAA



Bi-Fold Threshold Endcap

Ref: 1.12.0268

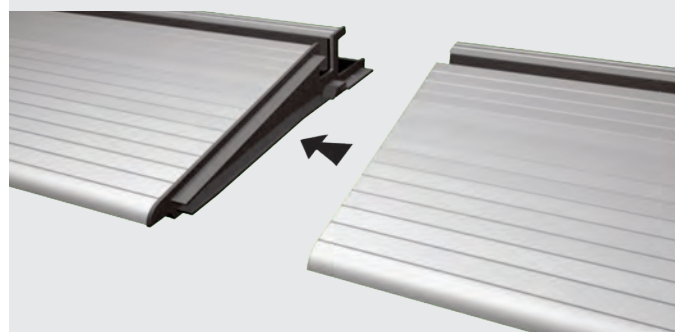
Available in black



Bi-Fold Connector

Ref: 1.12.0269

Available in black



Stable Door Kit

Ref: 1.01.0965

Stable Door Kit consists of:

A. Conceal Fix Expelex (914mm x 2 pieces)

B. Double Door Centre Seal 16mm
(914mm x 2 pieces)

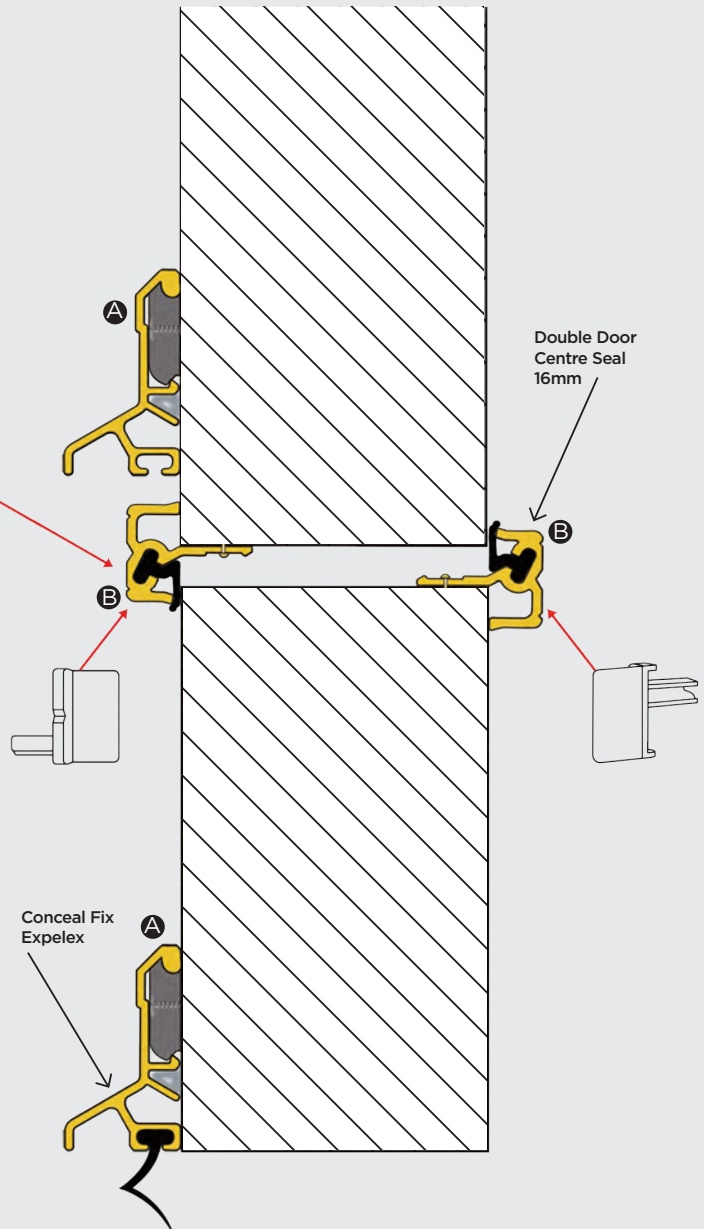
Prevents rain and draughts where the stable door meets in the centre

Conceal Fix Expelex deflect the water away from both door panels

The Double Door Centre Seal creates a rain and draught seal between the two doors

Endcaps give extra protection against draughts.

Available in gold, mill, white, black, blue, green & red



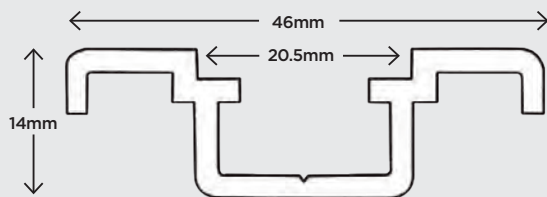
LE2/46/20

Aluminium

For 20mm Lock Face Plate

Available in white RAL 9016, brown RAL 8003 & brown RAL 8017

In size 2100mm



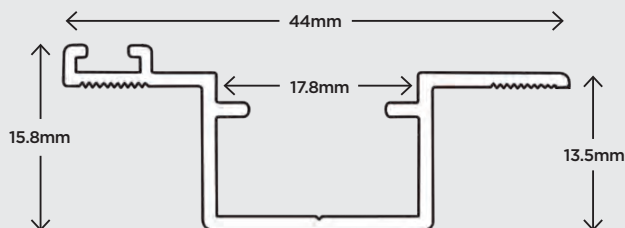
LE4/44/16

Aluminium

For 16mm Lock Face Plate

Available in white RAL 9910

In size 2100mm



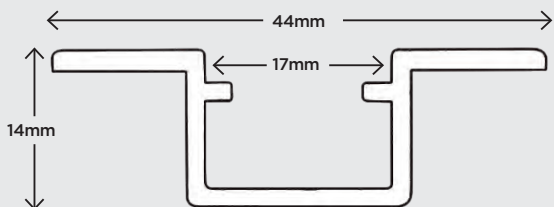
LE5/44/16

Aluminium

For 16mm Lock Face Plate

Available in white RAL 9010, white RAL 9016, brown RAL 8001, brown RAL 8016 & brown RAL 8017

In size 2100mm



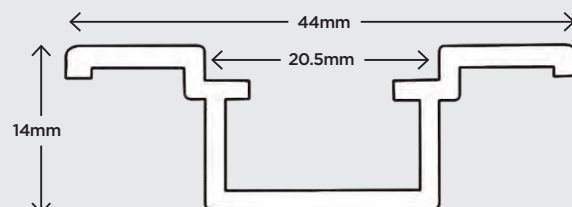
LE6/44/20

Aluminium

For 20mm Lock Face Plate

Available in white RAL 9010, white RAL 9016, brown RAL 8003 & brown RAL 8017

In size 2100mm



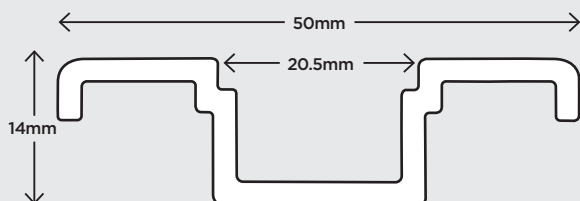
LE8/50/20

Aluminium

For 20mm Lock Face Plate

Available in white RAL 9010

In size 2100mm



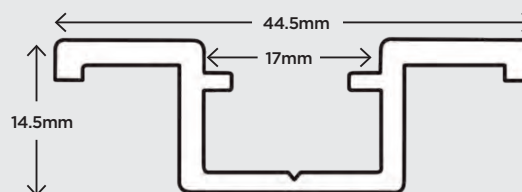
LE9/44/16

PVC

For 16mm Lock Face Plate

Available in white

In size 2100mm



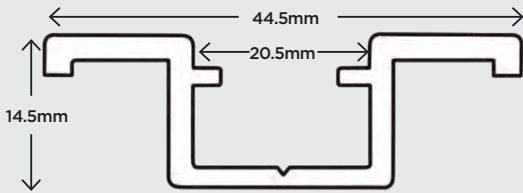
LE10/44/20

PVC

For 20mm Lock Face Plate

Available in white

In size 2100mm



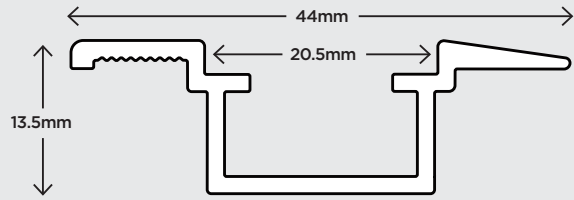
LE19/44/20

Aluminium

For 20mm Lock Face Plate

Available in white RAL 9010

In size 2100mm



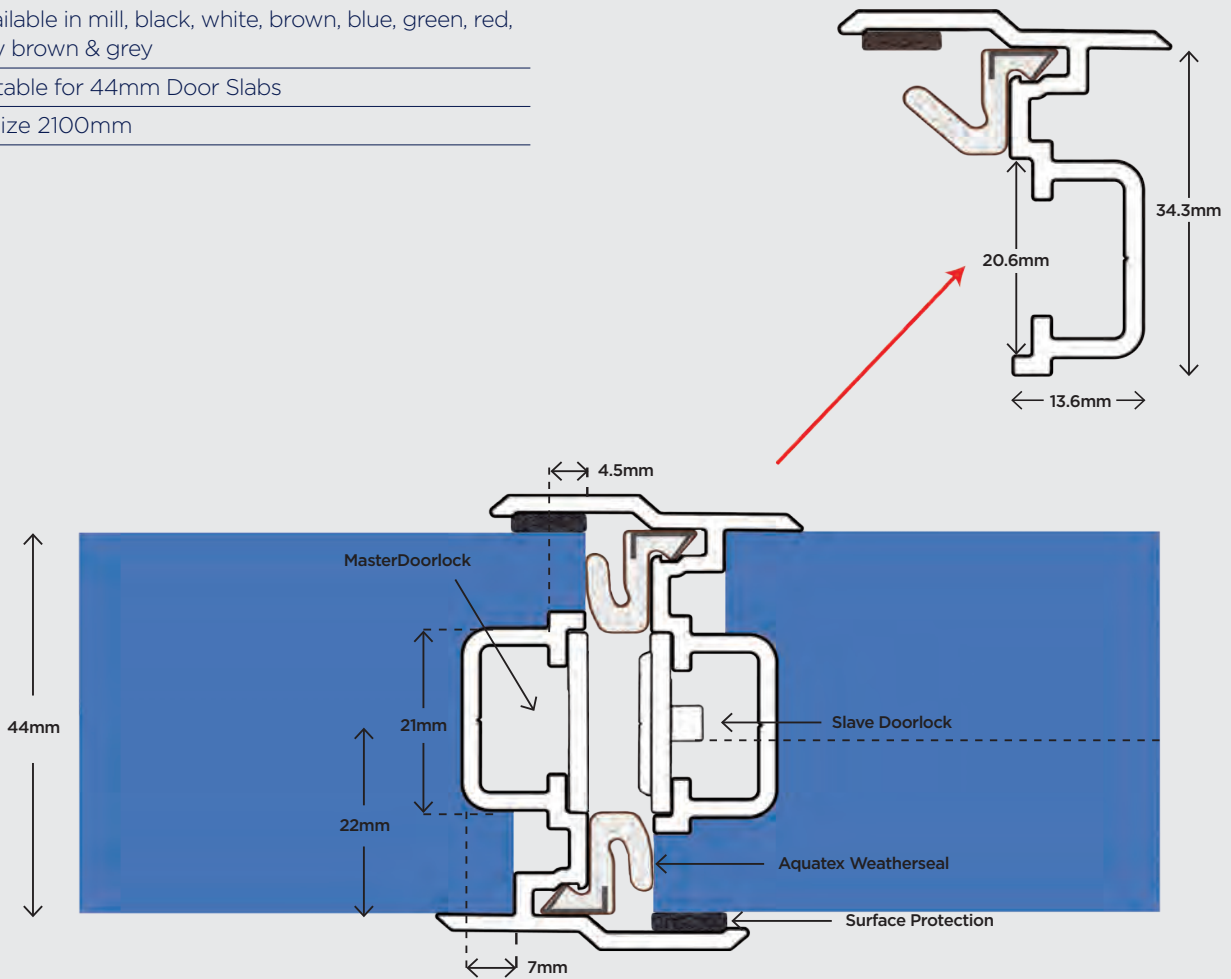
Double Door Rebate Lock Set

Aluminium

Available in mill, black, white, brown, blue, green, red, clay brown & grey

Suitable for 44mm Door Slabs

In size 2100mm



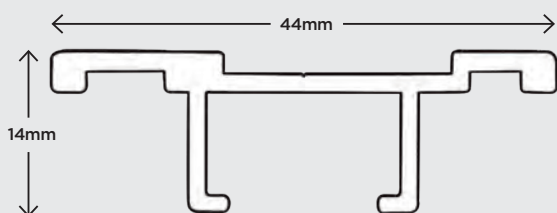
HE3/44

Aluminium

Suitable for 44mm door

Available in white RAL 9010, brown RAL 8011 & brown RAL 8017

In size 2100mm



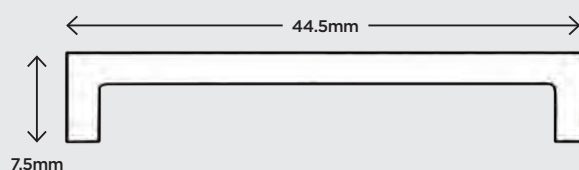
HE4/44

Aluminium

Suitable for 44mm door

Available in white RAL 9010, white RAL 9910, brown RAL 8011 & brown RAL 8017

In size 2100mm



HE6/44

Aluminium

Suitable for 44mm door

Available in white RAL 9016, brown RAL 8001, brown RAL 8003, brown RAL 8016 & brown RAL 8017

In size 2100mm



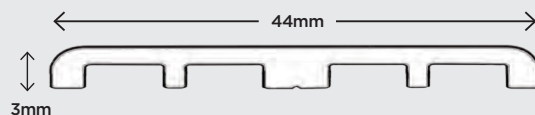
HE8/44

Aluminium

Suitable for 44mm door

Available in white RAL 9010 & brown RAL 8017

In size 2100mm



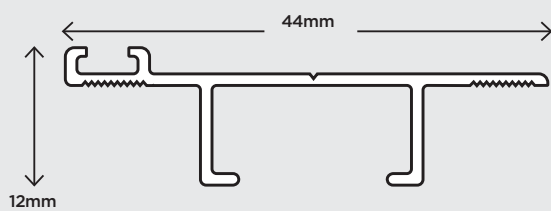
HE9/44

Aluminium

Suitable for 44mm door

Available in white RAL 9910

In size 2100mm



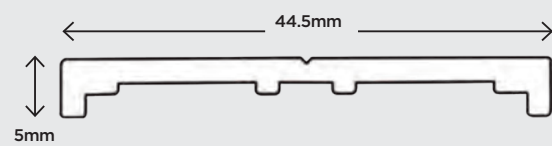
HE11/44

Aluminium

Suitable for 44mm door

Available in white RAL 9016

In size 2100mm



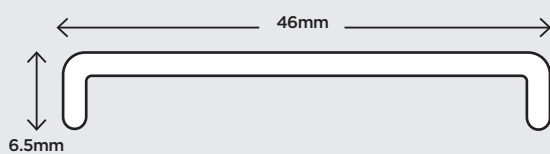
HE12/46

Aluminium

Suitable for 44mm door

Available in white RAL 9016, brown RAL 8003 & brown RAL 8017

In size 2100mm



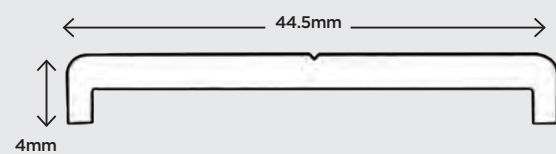
HE12/PVC

PVC

Suitable for 44mm door

Available in white & brown

In size 2100mm



Standard Door Surround

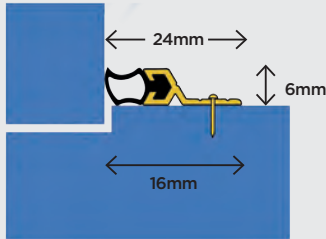
Screw Fix Ref: 1.01.0400

Pin Fix Ref: 1.01.0401

Aluminium carrier with TPE gasket

Available in mill, gold, bronze, black & white

In sizes 914mm, 2134mm, 2439mm, 5180mm & 6090mm



Flex 'n' Seal

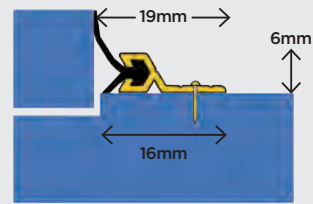
Screw Fix Ref: 1.01.0150

Pin Fix Ref: 1.01.0151

Aluminium carrier with EPDM rubber gasket

Available in mill, gold, bronze, black & white

In sizes 914mm, 2134mm, 2439mm, 5180mm & 6090mm



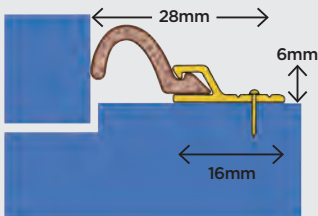
QDS

Pin Fix Ref: 1.01.0415

Aluminium carrier with Aquatex™ gasket

Available in mill & gold

In sizes 914mm, 2134mm, 2439mm, 5180mm & 6090mm



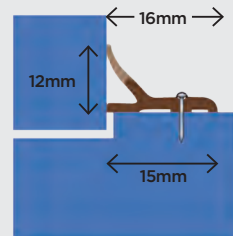
Windor

Pin Fix Ref: 1.01.0455

Dualhard PVC door surround

Available in white & brown

In sizes 914mm, 2134mm & 5180mm



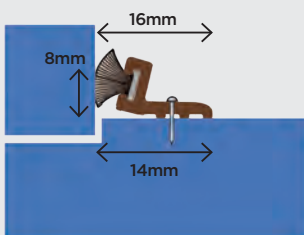
PVC Pile Weather Set

Pin Fix Ref: 1.01.0345

PVC carrier with polypropylene pile

Available in white & brown

In sizes 914mm, 2134mm & 5180mm



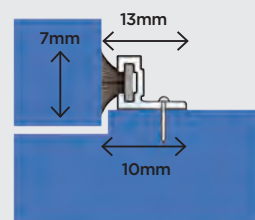
Aluminium Pile Weather Set

Pin Fix Ref: 1.01.0347

Aluminium carrier with polypropylene pile

Available in mill

In sizes 914mm, 2134mm & 5180mm



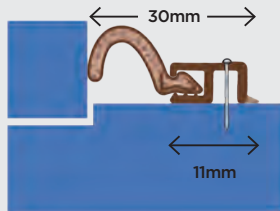
QBS External

Ref: 1.22.0001

PVC carrier with Aquatex™ gasket

Available in brown & white

In sizes 2030mm & 5180mm



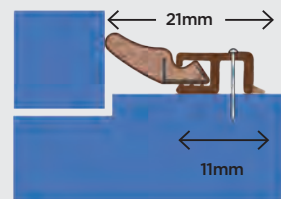
QBS Internal

Ref: 1.22.0003

PVC carrier with Aquatex™ gasket

Available in brown & white

In sizes 2030mm & 5180mm



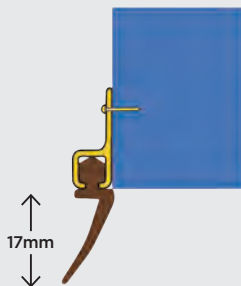
Bladex

Screw Fix Ref: 1.01.0019

Aluminium carrier with TPE flipper

Available in mill, gold, & brown

In size 914mm



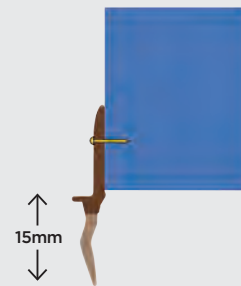
Bladeseal

Pin Fix Ref: 1.01.0074

Dualhard PVC door bottom

Available in brown & white

In size 914mm



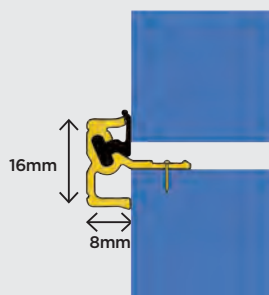
Double Door Centre Seal 16mm

Ref: 1.01.0105

Aluminium carrier with EPDM rubber seal

Available in mill, gold, brown, white & black

In size 2400mm



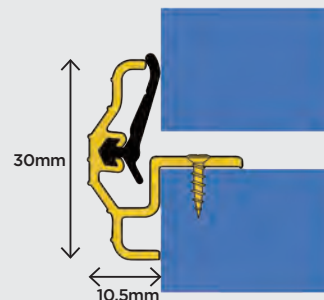
Double Door Centre Seal 30mm

Ref: 1.01.0106

Aluminium carrier with EPDM rubber seal

Available in mill, gold, brown, white & black

In size 2400mm



E Strip

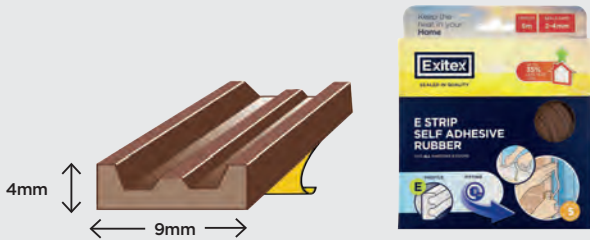
Ref: 1.03.0001

Self adhesive EPDM rubber

Seals gaps 2 - 3.5mm

Available in white & brown

Packed in 5m display pack or 100m reel



P Strip

Ref: 1.03.0002

Self adhesive EPDM rubber

Seals gaps 2 - 5mm

Available in white, brown & black

Packed in 5m display pack or 100m reel



Self Adhesive Foam

Standard 4mm thick x 6mm wide
Ref: 1.01.0380

Extra wide 4mm thick x 10mm wide
Ref: 1.01.0382

Extra Thick 6mm thick x 8mm wide
Ref: 1.01.0384

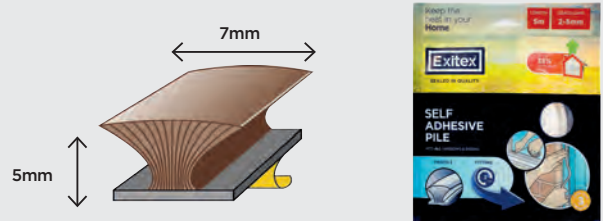


Self Adhesive Polyproplene Pile

Ref: 1.01.0425

Available in white, brown & grey

Packed in 5m display pack or 100m reel



Underdoor Foam Draught Excluder

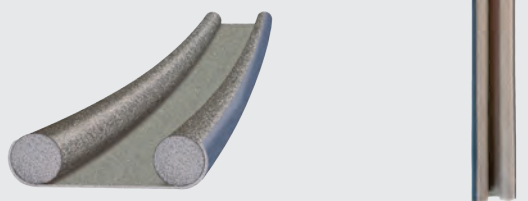
Ref: 1.01.0941.0950.00

Fits all Internal Doors

Easily Installed

Available in grey

In size 950 mm



Glazing Film

1.8 sq metre - Ref: 1.01.0391

4.5 sq metre - Ref: 1.01.0390

9 sq metre - Ref: 1.01.0392

Creates a secondary glazing effect on windows

Prevents draughts

Reduces heating costs



Insulating External Tap Cover

Ref: 1.01.0980

Frost Protection for taps

Fits most taps

Easy to install

Taps can be used with cover left on



Radiator Heat Reflector Foil

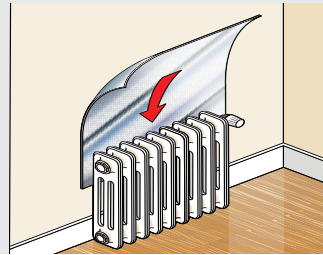
Ref: 1.01.0397

Fits all radiators

In size 5m x 500mm approx

Reflects warmth, increases heating effect

Easily fitted



PVC Letterplate Seal with & without flap

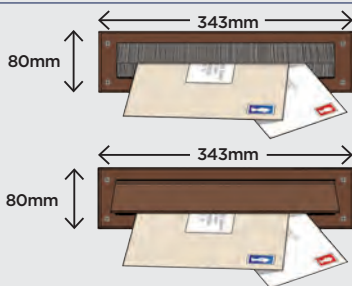
Without Flap Ref: 1.01.0212 / With Flap Ref: 1.01.0210

Available in white & brown

High impact PVC with long lasting bristle.

Stops draughts, dust & rain

For internal use



Aluminium Letterplate Seal with flap

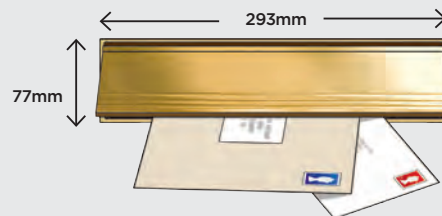
Ref: 1.01.0210

Available in gold, SAA & black

Aluminium flap with long lasting bristle

Stops draughts, dust & rain

For internal use



Aluminium Brushstrip

Ref: 1.01.0062-65

Bristle heights 18mm, 30mm, 40mm, 50mm

Available in mill & gold

In sizes 914mm to 2134mm



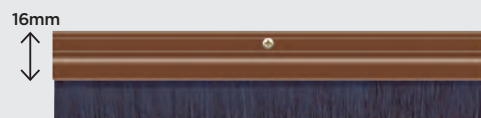
PVC Brushstrip

Ref: 1.01.0032-35

Bristle heights 18mm, 30mm, 40mm, 50mm

Available in white & brown

In sizes 914mm to 2134mm



Brushstrip Concealed Fixings - Pecan

Ref: 1.01.0042.0914.42

Bristle height 18mm

In size 914mm



Brushstrip Concealed Fixings - Light Oak

Ref: 1.01.0042.0914.40

Bristle height 18mm

In size 914mm



Brushstrip Concealed Fixings - Mahogany

Ref: 1.01.0042.0914.41

Bristle height 18mm

In size 914mm

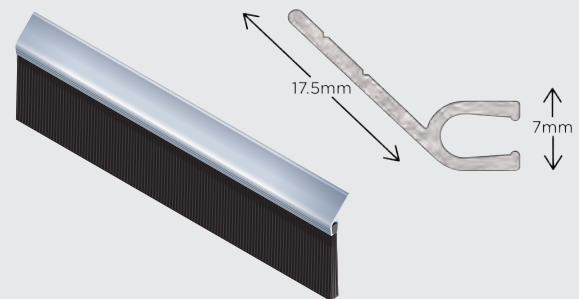


Brushstrip 45° - 30mm bristle

Ref: 1.01.0203

Available in mill

In sizes 1000mm to 3000mm

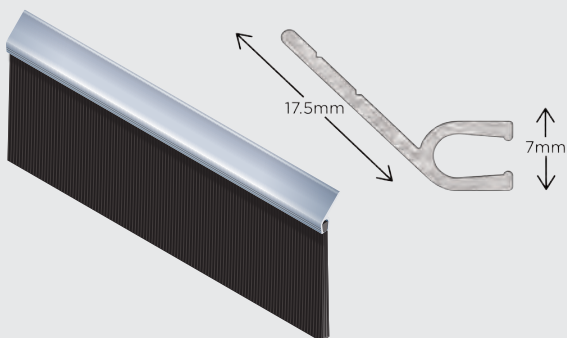


Brushstrip 45° - 50mm bristle

Ref: 1.01.0204

Available in mill

In sizes 1000mm to 3000mm

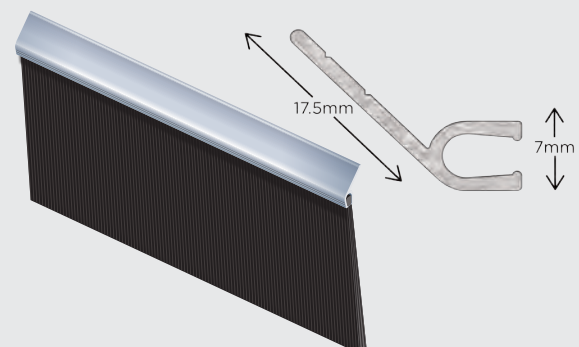


Brushstrip 45° - 65mm bristle

Ref: 1.01.0202

Available in mill

In sizes 1000mm to 3000mm



Industrial Brushstrips 90°

90° Brushstrip with 25mm Bristle - Ref: 1.01.0196

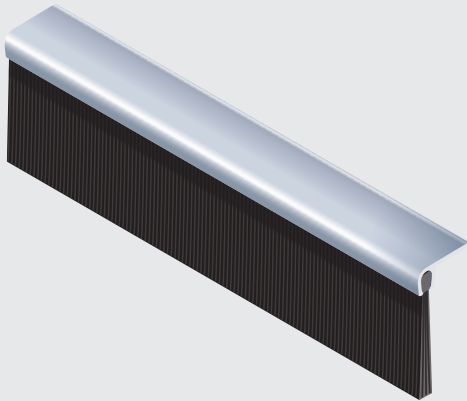
90° Brushstrip with 50mm Bristle - Ref: 1.01.0195

90° Brushstrip with 80mm Bristle - Ref: 1.01.0194

90° Brushstrip with 100mm Bristle - Ref: 1.01.0186

Available in mill

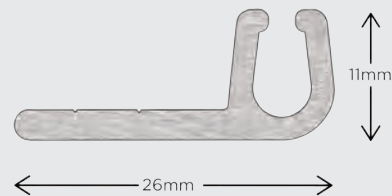
In sizes 1000mm to 3000mm



90° Brushstrip with 120mm Bristle - Ref: 1.01.0187

90° Brushstrip with 150mm Bristle - Ref: 1.01.0188

90° Brushstrip with 200mm Bristle - Ref: 1.01.0189



Industrial Brushstrip 180°

180° Brushstrip with 25mm Bristle - Ref: 1.01.0087

180° Brushstrip with 50mm Bristle - Ref: 1.01.0193

180° Brushstrip with 80mm Bristle - Ref: 1.01.0075

180° Brushstrip with 120mm Bristle - Ref: 1.01.0076

Available in mill, white & black

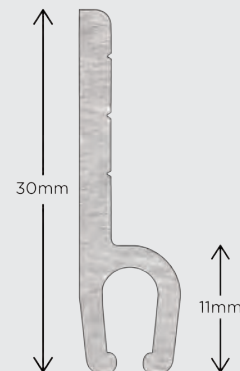
In sizes 914mm to 3000mm



180° Brushstrip with 100mm Bristle - Ref: 1.01.0082

180° Brushstrip with 150mm Bristle - Ref: 1.01.0083

180° Brushstrip with 200mm Bristle - Ref: 1.01.0084



Digitex Superior Front Finger Guard

Ref: 1.10.0403

Heavy duty front finger guard

Suitable for commercial applications

Anodised Aluminium carrier with concealed fixings

Fits most doors, prepacked with fixings

Available in white, brown & black

In size 2100mm



Digitex Front Finger Guard

Ref: 1.10.0401

Prevents fingers being trapped

Fits most doors, prepacked with fixings

Available in white, brown & grey

In size 1960mm



Digitex Rear Finger Guard

Ref: 1.10.0400

Covers the rear hinges of a door preventing fingers getting trapped

Fits most doors, prepacked with fixings

Available in white, brown & grey

In size 1960mm



Hingex Rear Finger Protector

Ref: 1.10.0402

Fits between rear door hinges preventing fingers getting trapped

Fits most doors

Self-adhesive, easily fitted

Available in silver & white

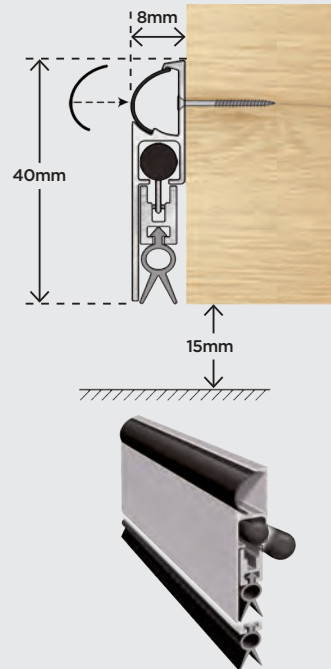
In size 1800mm



Concealex Slimline Facefix (Retail)

Ref: 1.50.0007.0930.31

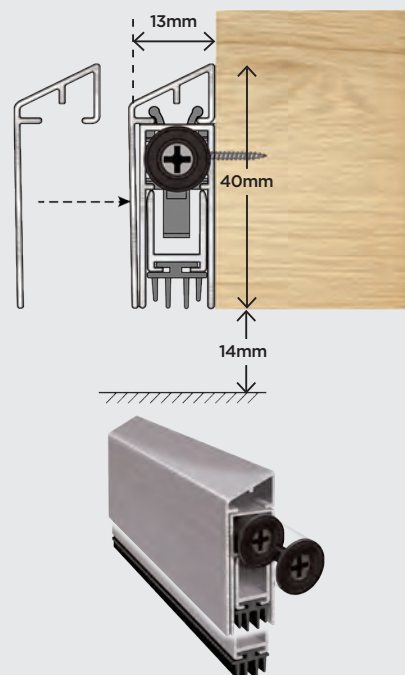
Application	All types of swing doors
Maximum drop	15mm
Trimming lengths	Up to 100mm on the opposite side to the plunger
Fixing	Surface Mounted screw fix with PVC Clip On Cover
Adjustment	Standard Phillips Screwdriver
Self-levelling	Yes
Seal	Silicone Rubber
Available in	SAA
In size	930mm



Concealex Facefix Dropseal (Retail)

Ref: 1.50.0011.0930.31

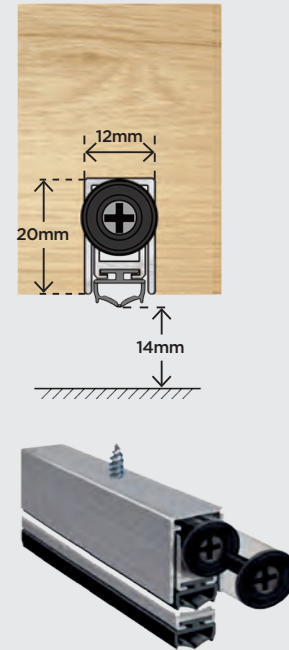
Application	All types of swing doors
Maximum drop	14mm
Trimming lengths	Up to 150mm on the opposite side to the plunger
Fixing	Surface mounted screw fix with aluminium clip on cover with nylon cap
Adjustment	Plunger adjustable with 3mm Allen Key
Self-levelling	Yes
Seal	Self-extinguishing co-extruded thermoplastic
Fire Tested	For 30 & 60 minutes to BS 476: Part 22
Smoke Tested	To BS EN 1634-3: 2001
Acoustic Tested	Up to 43DB to BS EN ISO 10140-2:2010
Available in	SAA
In size	930mm



Concealex A8100

Ref: 1.50.0001

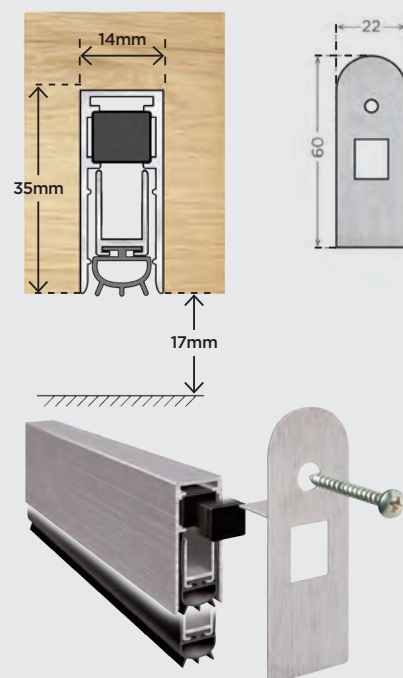
Application	Timber doors, aluminium doors, security doors and PVC doors
Maximum drop	14mm
Trimming lengths	Up to 150mm on the opposite side to the plunger (length 260mm cannot be shortened, 330mm can be shortened 50mm)
Fixing	With screws supplied
Adjustment	Standard Phillips Screwdriver
Self-levelling	Yes
Seal	Co-extruded tubular seal in self-extinguishing TPE
Fire Tested	For 30 & 60 minutes to BS EN 1634-1: 2014
Smoke Tested	To BS EN 1634-3: 2001
Acoustic Tested	Up to 44DB to BS EN ISO 10140-2:2010
Available in	SAA
In sizes	260mm, 330mm, 426mm, 526mm, 626mm, 726mm, 826mm, 914mm, 926mm, 1026mm, 1130mm, 1230mm, 1330mm and 1430mm



Concealex A8100 Superior

Ref: 1.50.0005

Application	Timber doors and security doors
Maximum drop	17mm
Trimming lengths	Up to 150mm on the opposite side to the plunger (length 330mm can be shortened 50mm, length 426mm can be shortened 135mm)
Fixing	With stainless steel bracket
Adjustment	Plunger with adjustable spring
Self-levelling	Yes
Seal	Sound insulating seal in self-extinguishing TPE
Fire Tested	For 30 & 60 minutes to BS EN 1634-1: 2014
Smoke Tested	To BS EN 1634-3: 2004
Acoustic Tested	Up to 44DB to BS EN ISO 10140-2:2010
Available in	SAA
In sizes	330mm, 426mm, 526mm, 626mm, 726mm, 826mm, 914mm, 926mm, 1026mm, 1130mm, 1230mm, 1330mm and 1430mm

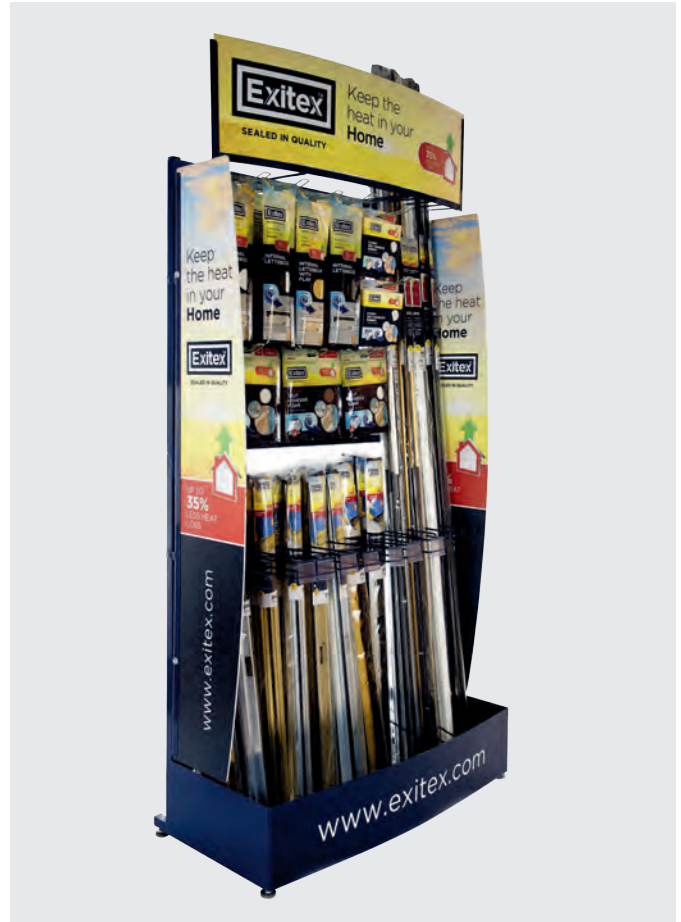


BEM Stand

Ref: 1.30.0006.0000.00

Contains

10 x Standard Door Surround 5180mm mill
 10 x Standard Door Surround 5180mm gold
 10 x Windor 5180mm white
 10 x Windor 5180mm brown
 10 x Threshex 933mm mill
 10 x Threshex 933mm gold
 10 x Macclex 15/2 914mm mill
 10 x Macclex 15/2 914mm gold
 10 x Expelex 914mm mill
 10 x Expelex 914mm gold
 10 x MWK 20 914mm mill
 10 x MWK 20 914mm gold
 10 x Brushstrip 914mm mill
 10 x Brushstrip 914mm gold
 10 x Brushstrip 914mm PVC white
 10 x Brushstrip 914mm PVC brown
 12 x E Strip 5m white
 12 x E Strip 5m brown
 12 x P Strip 5m white
 12 x P Strip 5m brown
 10 x Self Adhesive Foam 5m white
 10 x Self Adhesive Foam 5m brown
 10 x Letterplate Seal with flap white
 10 x Letterplate Seal with flap brown
 10 x Letterplate Seal with flap gold

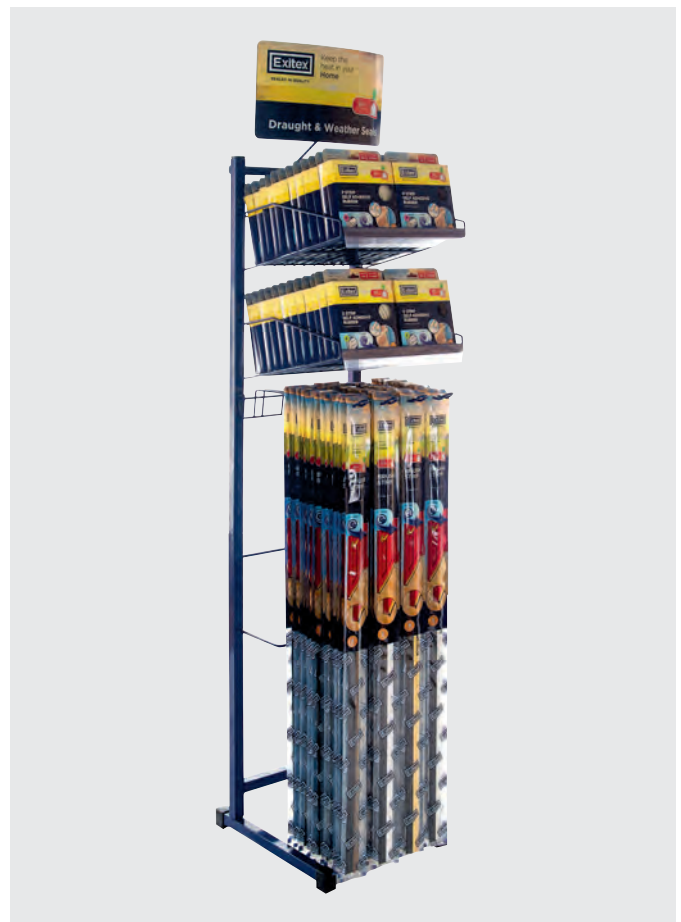


Metal E, P & Brushstrip Stand

Ref: 1.30.0007.0000.00

Contains

12 x E Strip 5m white
 12 x E Strip 5m brown
 12 x P Strip 5m white
 12 x P Strip 5m brown
 10 x Brushstrip 914mm mill
 10 x Brushstrip 914mm gold
 10 x Brushstrip 914mm PVC white
 10 x Brushstrip 914mm PVC brown

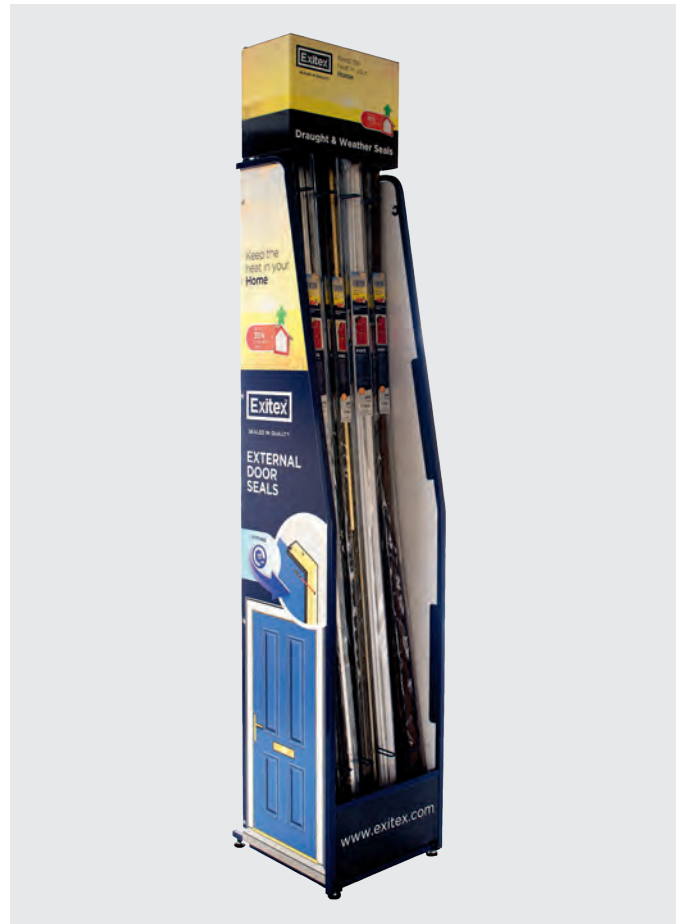


Door Surround Display Stand

Ref: 1.30.0009.0000.00

Contains

- _____ 10 x Standard Door Surround 5180mm mill
- _____ 10 x Standard Door Surround 5180mm gold
- _____ 10 x Standard Door Surround 5180mm bronze
- _____ 10 x Standard Door Surround 5180mm black
- _____ 10 x Standard Door Surround 5180mm white



Carpet Trims Stand

Ref: 1.30.0008.0000.00

Contains

- _____ 10 x Narrow Vinyl Cover Trim 914mm gold
- _____ 10 x Narrow Vinyl Cover Trim 914mm SAA
- _____ 10 x Carpet Cover Trim 914mm gold
- _____ 10 x Carpet Cover Trim 914mm SAA
- _____ 10 x Vinyl Edge Trim (Small) 914mm gold
- _____ 10 x Vinyl Edge Trim (Small) 914mm SAA
- _____ 10 x Single Nap Carpet Trim 914mm gold
- _____ 10 x Single Nap Carpet Trim 914mm SAA
- _____ 10 x Dual Edge Carpet Trim 914mm gold
- _____ 10 x Dual Edge Carpet Trim 914mm SAA
- _____ 10 x Vinyl Edge Trim (Large) 914mm gold
- _____ 10 x Vinyl Edge Trim (Large) 914mm SAA



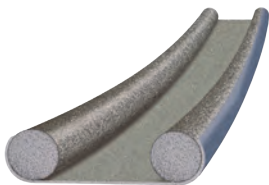
Underdoor Foam Draught Excluder Display Unit

Ref: 1.30.0031.0000.00

Contains

25 x Underdoor Foam Draught Excluders

Ref: 1.01.0941.0950.00



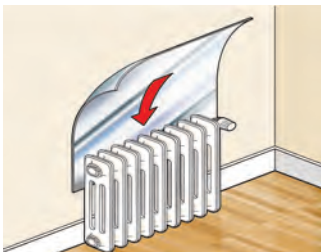
Radiator Heat Reflector Foil Display Unit

Ref: 1.30.0015.0000.00

Contains

25 x Radiator Heat Reflector Foil

Ref: 1.01.0397.0000.00



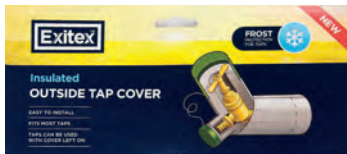
Insulating External Tap Cover Display Unit

Ref: 1.30.0014.0000.00

Contains

25 x Insulating External Tap Covers

Ref: 1.01.0980.0000.00



E & P Strip Display Unit

Ref: 1.30.0012.0000.00

E, P & Brushstrip Display Unit

Ref: 1.30.0013.0000.00

Contains

24 x E Strip 5m white

24 x E Strip 5m brown

24 x P Strip 5m white

24 x P Strip 5m brown

(E, P & Brushstrip Unit also contains 20 of each Brushstrip 914mm in mill, gold, white PVC and brown PVC)



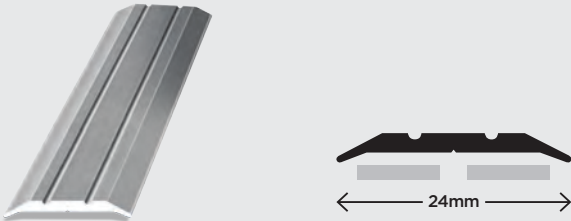
Narrow Vinyl Cover Trim

Ref: 1.33.0010

Conceals & protects joints between vinyl/hard floor coverings. Suits all grades/thicknesses.

In sizes 914mm & 2750mm

Available In SAA & gold anodised



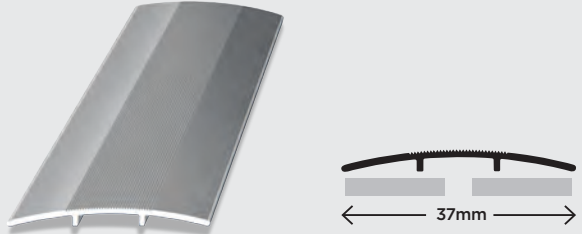
Vinyl/Carpet Cover Trim

Ref: 1.33.0020

Conceals & protects joints between vinyl/hard floor & carpet coverings.

In sizes 914mm & 2750mm

Available In SAA & gold anodised



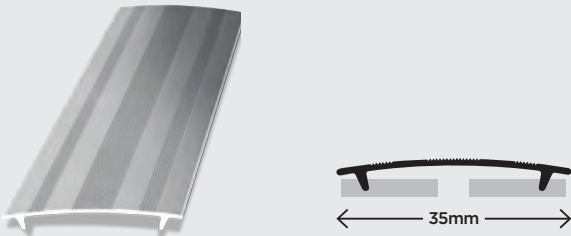
Carpet Cover Trim

Ref: 1.33.0030

Designed to cover the joint between two soft/carpet floor coverings.

In sizes 914mm & 2750mm

Available In SAA & gold anodised



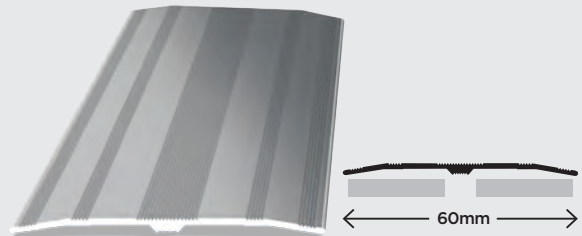
Commercial Cover Trim

Ref: 1.33.0040

Extra wide for covering large or damaged joints between any two floor coverings.

In sizes 914mm & 2750mm

Available In SAA & gold anodised



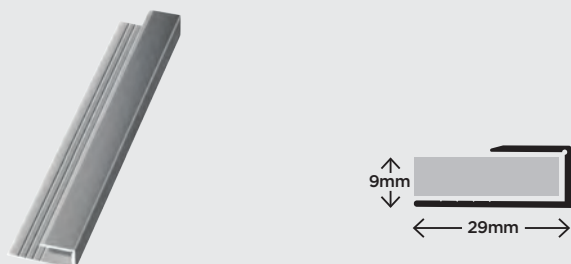
Laminate Square Edge Trim

Ref: 1.33.0100

Provides the perfect finish to edging of laminate and wood flooring.

In sizes 914mm & 2750mm

Available In SAA & gold anodised



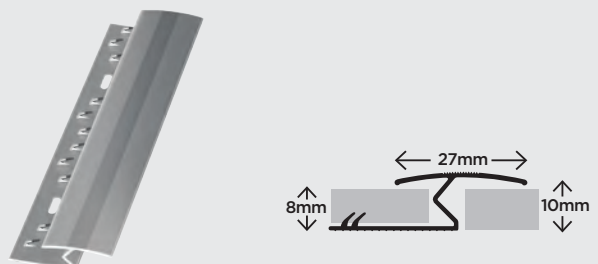
Laminate Z Trim

Ref: 1.33.0060

Provides the perfect finish between carpet and laminate/wood flooring.

In sizes - 914mm & 2750mm

Available In SAA & gold anodised



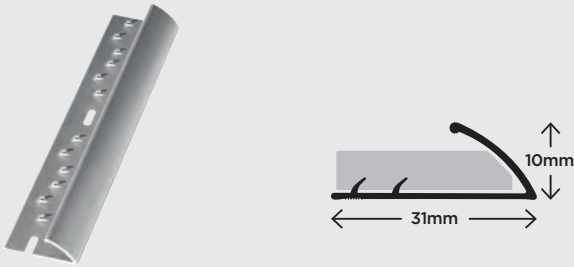
Single Nap Carpet Trim

Ref: 1.33.0070

Provides the perfect finish for edging to carpets which require an underlay.

In sizes 914mm & 2750mm

Available In SAA & gold anodised



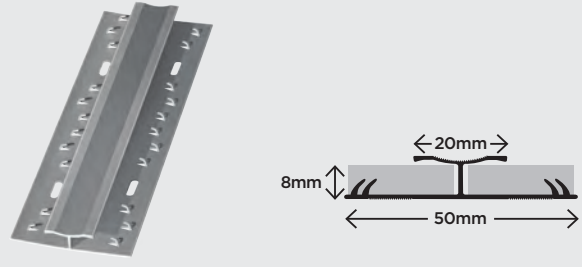
Dual Edge Carpet Trim

Ref: 1.33.0080

Provides the perfect finish & secures two carpets neatly (not suitable on foam backed).

In sizes 914mm & 2750mm

Available In SAA & gold anodised



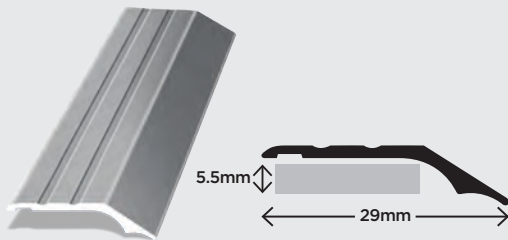
Vinyl Edge Trim (Large)

Ref: 1.33.0090

Provides the perfect finish for vinyl/tiles/ carpet up to 5.5mm thick.

In sizes 914mm & 2750mm

Available In SAA & gold anodised



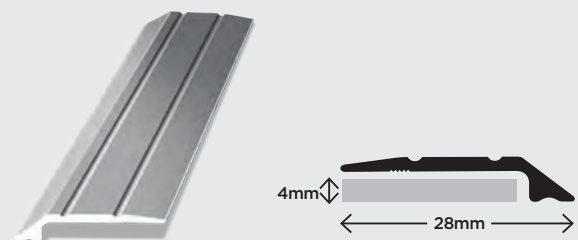
Vinyl Edge Trim (Small)

Ref: 1.33.0050

Provides the perfect finish for vinyl/tiles/ carpet up to 4mm thick.

In sizes 914mm & 2750mm

Available In SAA & gold anodised



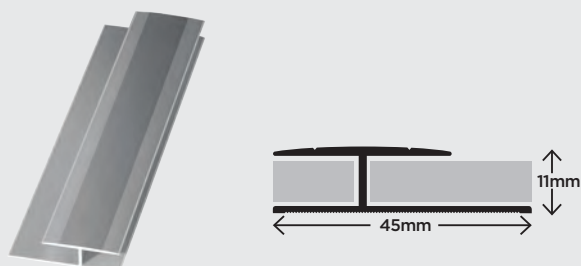
Double Edge Floor Trim

Ref: 1.33.0110

Designed for joining wood or laminate flooring. Ideal for doorways.

In sizes 914mm & 2750mm

Available In SAA & gold anodised



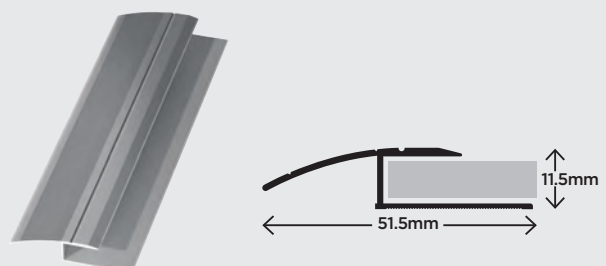
Round Edge Floor Trim

Ref: 1.33.0120

Designed for joining wood/ laminate floors to different levels.

In sizes 914mm & 2750mm

Available In SAA & gold anodised



Other Brochures Available:

- Capex & Cresfinex
- Joinery Seals & Glazing
- ExiSound - Acoustic Seals Range
- ExiFire - Fire Protection

Exitex Ltd
Dundalk
Ireland

T: (00353 42) 9371244
F: (00353 42) 9371221
Email: info@exitex.com

www.exitex.com



SEALED IN QUALITY