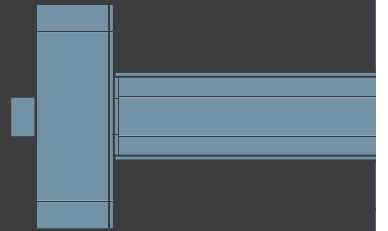


D-FINE



GRADE
316



the best way
 **out**

D-FINE

Strand Hardware Ltd supplies high quality Window and Door Hardware for commercial buildings sourced from top European manufacturers and from its own locally manufactured range. Products are sold primarily through leading industry wholesalers and architectural ironmongers to whom Strand offers first class customer care and technical support from experienced industry professionals.

This catalogue shows the D-Fine range of panic exit devices which are constructed entirely out of 316 stainless steel, including all internal and external components. This guarantees maximum functionality and a long lifetime even under the most extreme weather and atmospheric conditions.

CONTENTS

Introduction to D-Fine	2-3
D-Fine range with push bar	4-5
D-Fine range with touch bar	6-7
D-Fine outside access device	8



INTRODUCTION TO D-FINE





An innovative and unique line, the D-FINE range of panic exit devices are constructed entirely out of 316 stainless steel, including all internal and external components. This guarantees maximum functionality and a long lifetime even under the most extreme weather and atmospheric conditions. These devices are salt spray tested to 800 hours.

Versatility, style and functionality all in a single product.

THE ONLY PANIC DEVICE ENTIRELY MANUFACTURED IN STAINLESS STEEL GRADE 316.

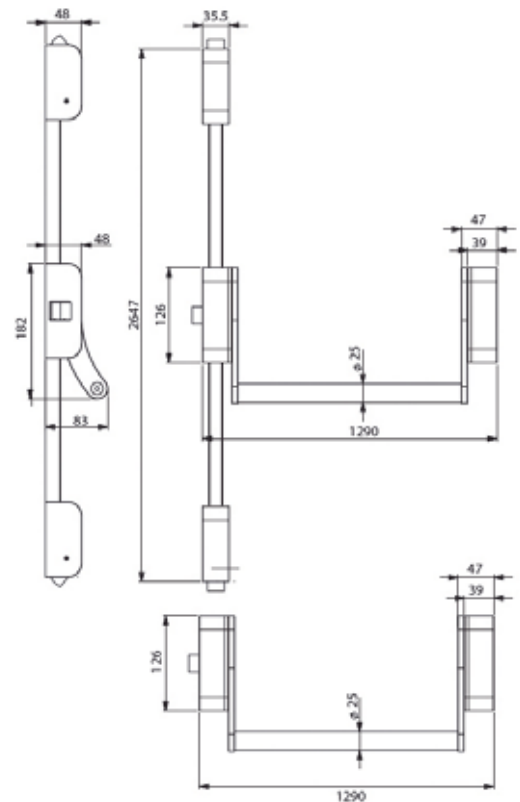
Stainless steel is well established as a corrosion resistant material for many items used in buildings and in particular equipment in swimming pools, Spas and Leisure centres.

Grade 316 stainless steel has the highest corrosion resistance and is typically specified for equipment in pool areas, coastal locations and other corrosive environments.

D-FINE RANGE WITH PUSH BAR



Technical Drawings



Technical drawings applicable to PHD150, PHD155, PHD157

Grade 316 Stainless Steel D-Fine Antipanic Modular Push Bar Range

- The modular push bar panic exit device range comprises a full width cross bar and modular components (standard mechanism, idler and cross arm).
- The range offers a large degree of flexibility and can provide 1, 2 and 3 point latches (with horizontal or side entry pullman latches) and 2 or 3 point bolts (with vertical pullman latches).
- Suitable for high end public buildings such as Hotels, Leisure Centres and Spas where people are unfamiliar with surroundings.
- Suitable for corrosive atmospheres.
- Standard devices suitable for doors up to 2647mm high, 1290mm wide.
- Salt spray tested to 800 hours.

Application

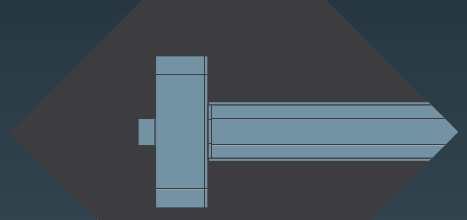
- Supplied with striker plates for timber doors.
- Strikes also available for PVC-U, Aluminium and Steel doors (Please specify when ordering).

Outside access

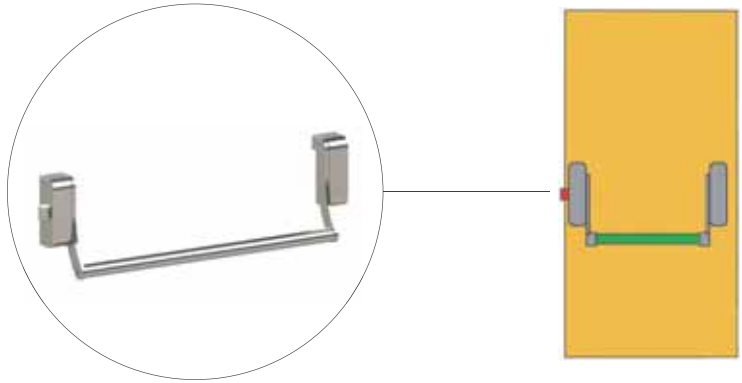
- Optional outside access device with lever handle to provide entry from the outside (See page 8 for further information).



All Panic Hardware devices (with full width crossarm) have been tested and certified to EN1125 : 2008 (classification 3-7-7-B-1-4-2-2-A-A)



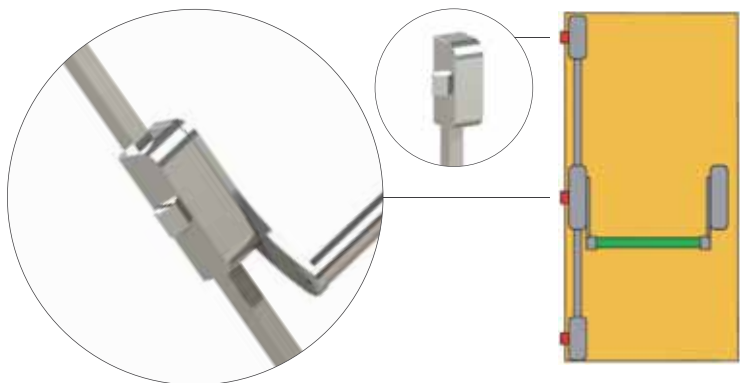
PHD150 Reversible single point latch



PHD155 Reversible three point panic bolt



PHD157 Reversible three point panic latch

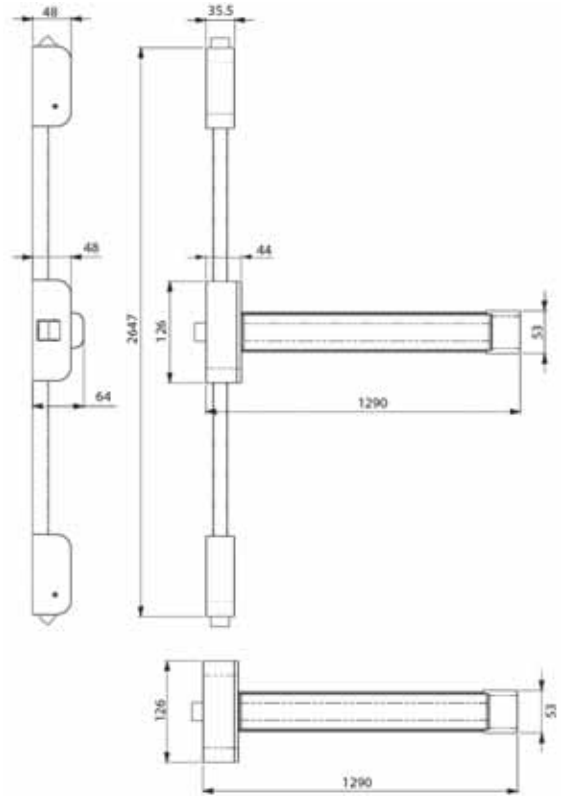


A PHD154 Reversible two point panic bolt or a PHD159 Reversible two point panic latch for double doors is also available.

D-FINE RANGE WITH TOUCH BAR



Technical Drawings



Technical drawing applicable PHDT50, PHDT55, PHDT57

Grade 316 Stainless Steel D-Fine Antipanic Modular Touch Bar Range

- The modular Touch bar panic exit device range comprises a full width cross bar and modular components (standard mechanism, idler and cross arm).
- The range offers a large degree of flexibility and can provide 1, 2 and 3 point latches (with horizontal or side entry pullman latches) and 2 or 3 point bolts (with vertical pullman latches).
- Suitable for high end public buildings such as Hotels, Leisure Centres and Spas where people are unfamiliar with surroundings.
- Suitable for corrosive atmospheres.
- Standard devices suitable for doors up to 2647mm high, 1290mm wide.
- Salt spray tested to 800 hours.



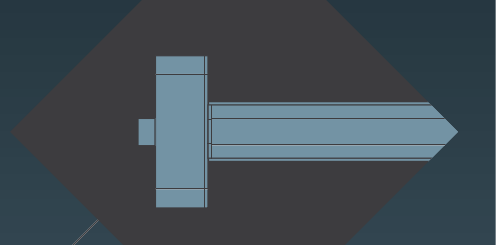
All Panic Hardware devices (with full width crossarm) have been tested and certified to EN1125 : 2008 (classification 3-7-7-B-1-4-2-2-B-A)

Application

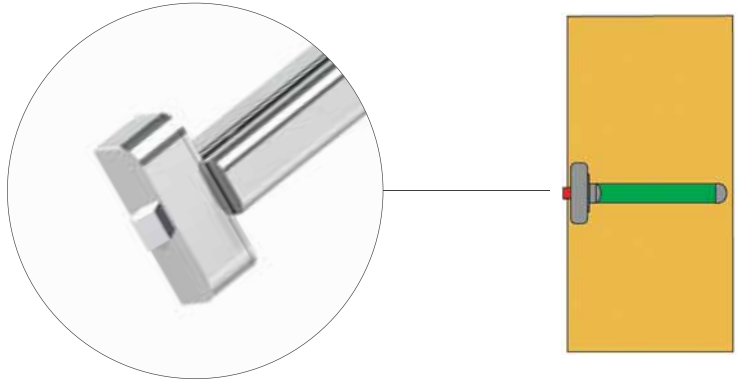
- Supplied with striker plates for timber doors.
- Strikes also available for PVC-U, Aluminium and Steel doors (Please specify when ordering).

Outside access

- Optional outside access device with lever handle to provide entry from the outside (See page 8 for further information).



PHDT50 Reversible single point touch bar latch



PHDT55 Reversible three point touch bar bolt



PHDT57 Reversible three point touch bar latch



A PHDT154 Reversible two point touch bar bolt or a PHDT159 Reversible two point touch bar latch for double doors is also available.

D-FINE OUTSIDE ACCESS DEVICE

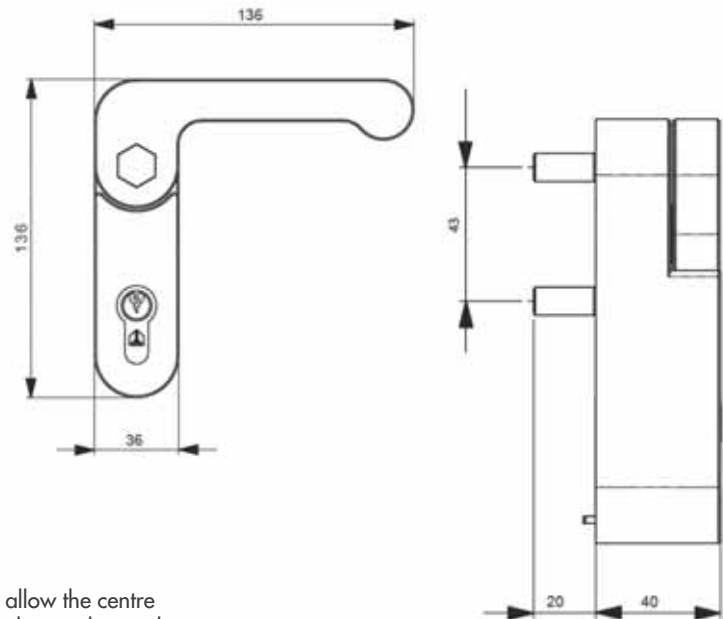


Description

- Optional outside access device (OAD) with lever handle available for use with D-Fine Modular and Touch Bar ranges.



Grade 316 Stainless Steel



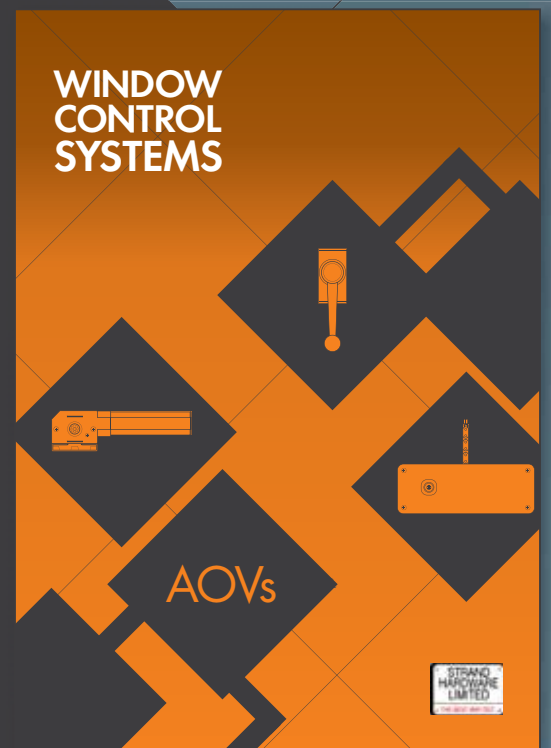
Application

- Where outside access is required two threaded screws allow the centre mechanism of the device and outside access to be bolted securely together.
- Standard spindle suitable for doors up to 100mm thick.
- OAD comes complete with a standard 40mm half Euro cylinder.
- Keyed alike and high security options available to order.
- Suitable for corrosive atmospheres.
- Suitable for high end projects.
- Salt spray tested to 800 hours.

PHD610114

With lever handle
Complete with standard cylinder

ADDITIONAL RANGES





STRAND HARDWARE LTD

Strand House, Long Street,
Premier Business Park,
Walsall, WS2 9DY

T: 01922 639111

F: 01922 626025

E: info@strandhardware.co.uk

www.strandhardware.co.uk